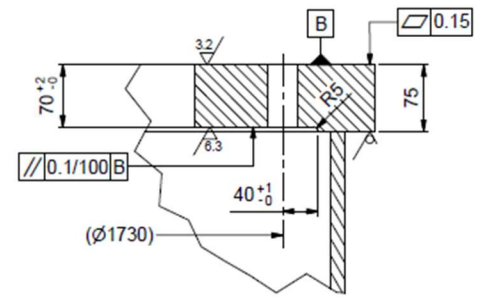
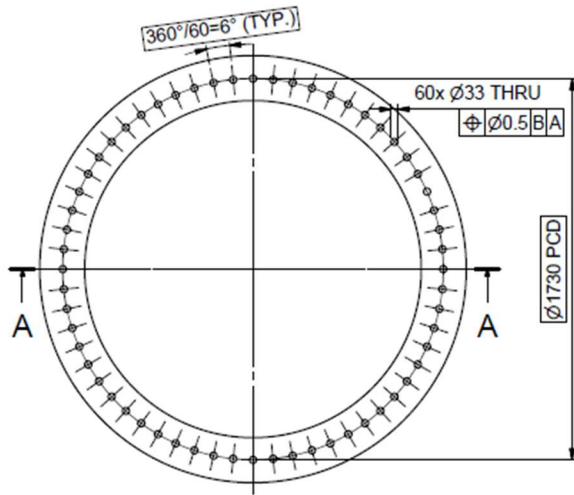


Pedestal Flange detail



DETAIL B
(1 : 5)

