

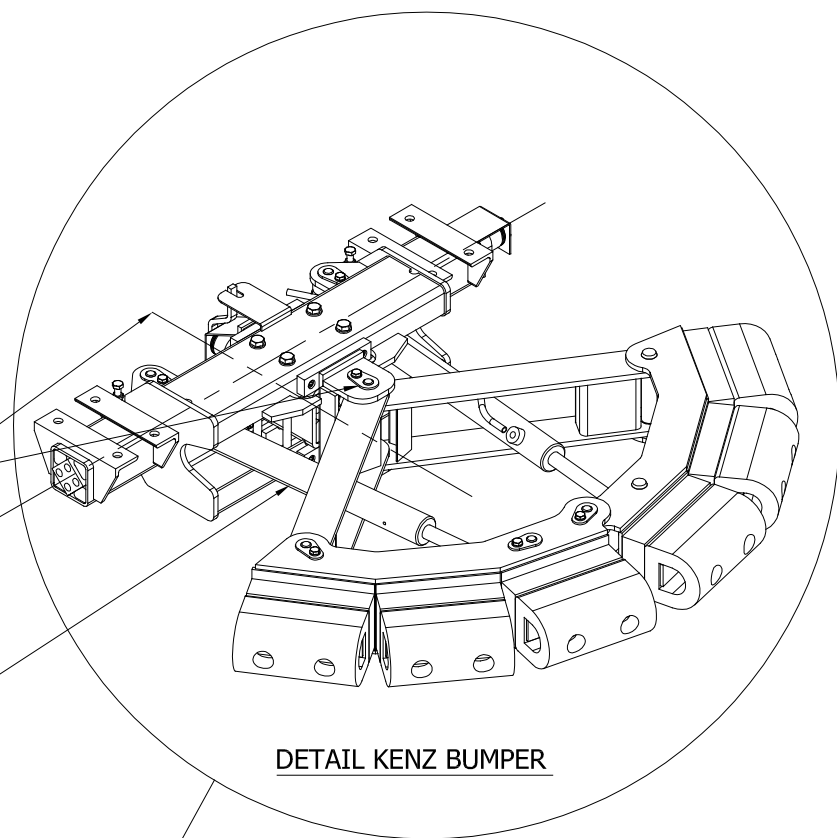
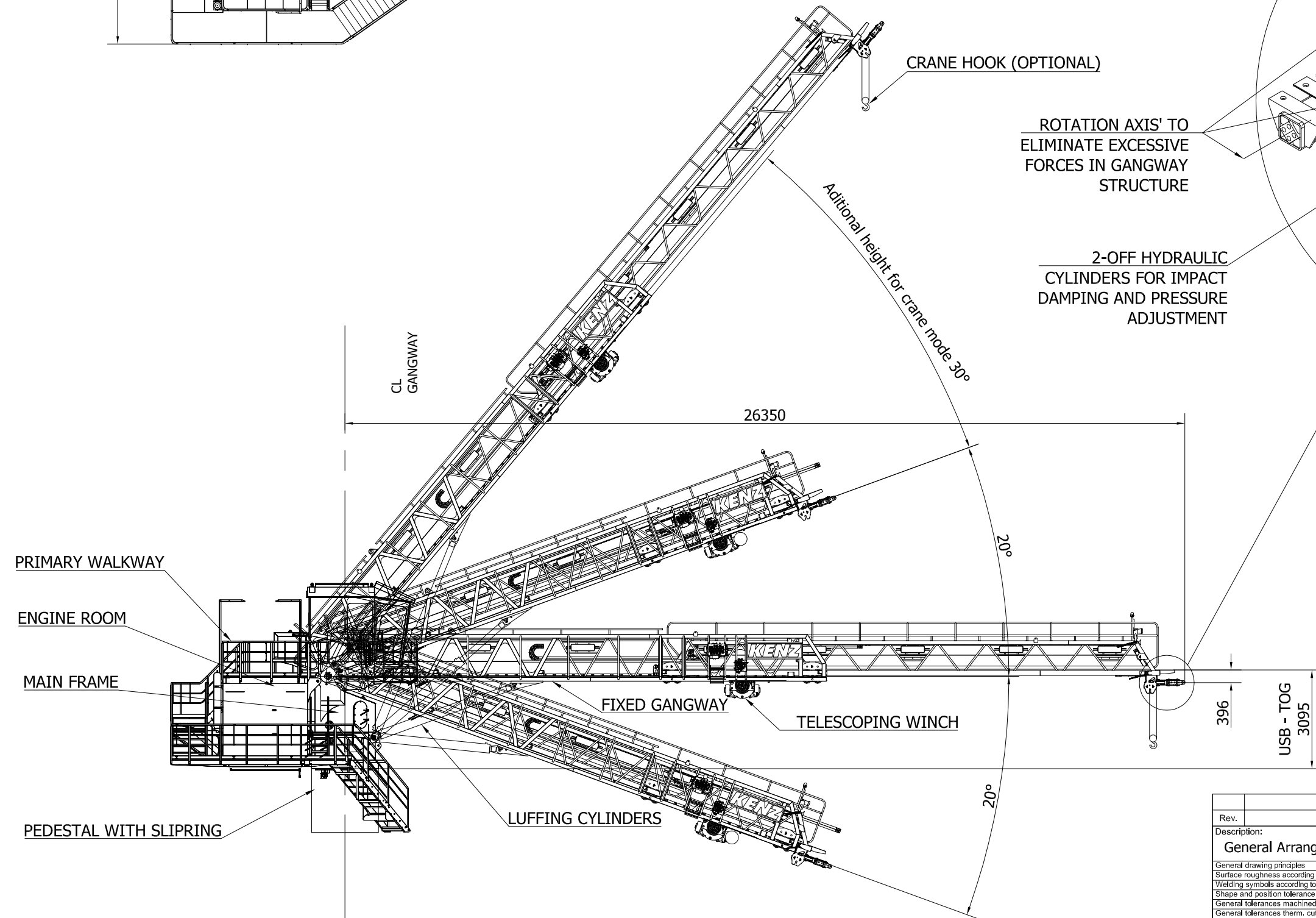
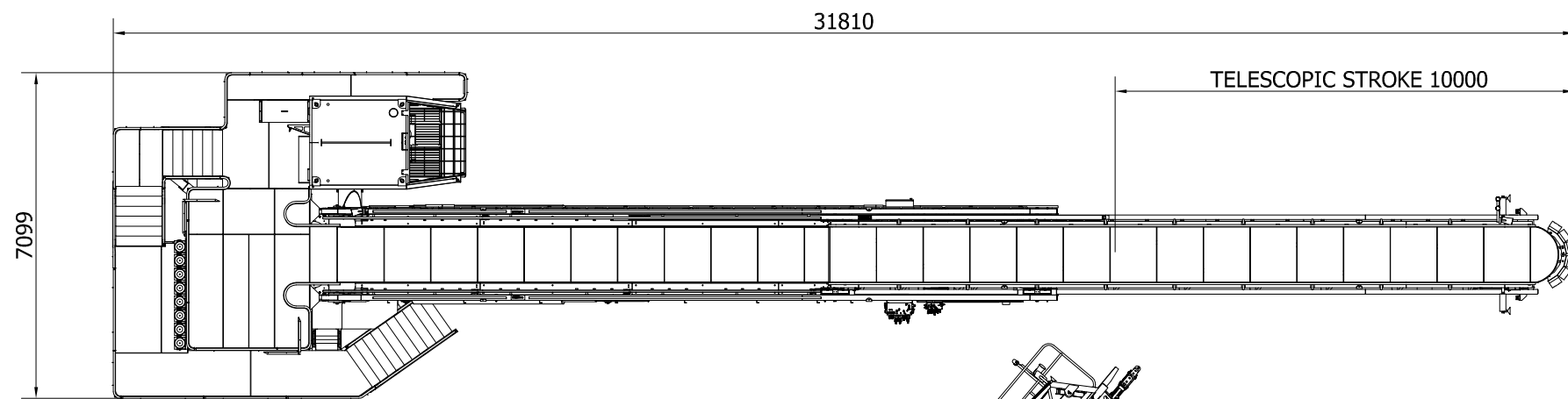
Rev.	Description	Drawn	Checked
A			

General arrangement

General drawing principles	: ISO 128	Projection	Drawn	
Surface roughness according to	: ISO 1302	Checked	Checked	
Welding symbols according to	: ISO 2553 System A	Status		
Shape and position tolerance according to	: ISO 1101	Customer:	Guangzhou Yuexin Shipyard	Busy
General tolerances (machined single parts acc. to)	: ISO 2768-mS	Type:	EH 16-28/1800 O.S. GW	Sheet
General tolerances (non-machined parts acc. to)	: ISO 9013-3:02	Installation number	P020V096	1 of 1
General tolerances (welded const. according to)	: ISO 15624-2	Document number	0010_001	Scale
				~
				Size
				A2
				Rev.
				A



PO BOX 238, 4540 ZIJNDAM, ZUIDLIK 400, 1606 HE ZANANAM
THE NETHERLANDS T +31 (0)78 6810910 WWW.KENZ-FRIBEE.COM



ROTATION AXIS TO ELIMINATE EXCESSIVE FORCES IN GANGWAY STRUCTURE

2-OFF HYDRAULIC CYLINDERS FOR IMPACT DAMPING AND PRESSURE ADJUSTMENT

DETAIL KENZ BUMPER

REMARKS:
 - USB = Underside Slew Bearing
 - TOG = Top of Grating

Rev.	Description	Drawn	Checked	
Description:				
General Arrangement				
General drawing principles : ISO 128		Projection	Drawn	RBA 07-03-2017
Surface roughness according to : ISO 1302			Checked	WB 07-03-2017
Welding symbols according to : ISO 2553 System A			Status	Released
Shape and position tolerance according to : ISO 1101		Customer: Generic		
General tolerances machined single parts acc. to : ISO 2768-mK		Sheet 1 of 1		
General tolerances therm. cut single parts acc. to : ISO 9013-332		Scale 100		
General tolerances welded constr. according to : ISO 13920-BF		Size Rev.		
		Project number	Document number	
PO BOX 235, 1500 EE ZAANDAM, ZUIDDUK 400, 1505 HE ZAANDAM THE NETHERLANDS T +31 (0)75 6810410, WWW.KENZ-FIGEE.COM		P017GW01	0010_001	A2 0

OAG.05.11 REV.10