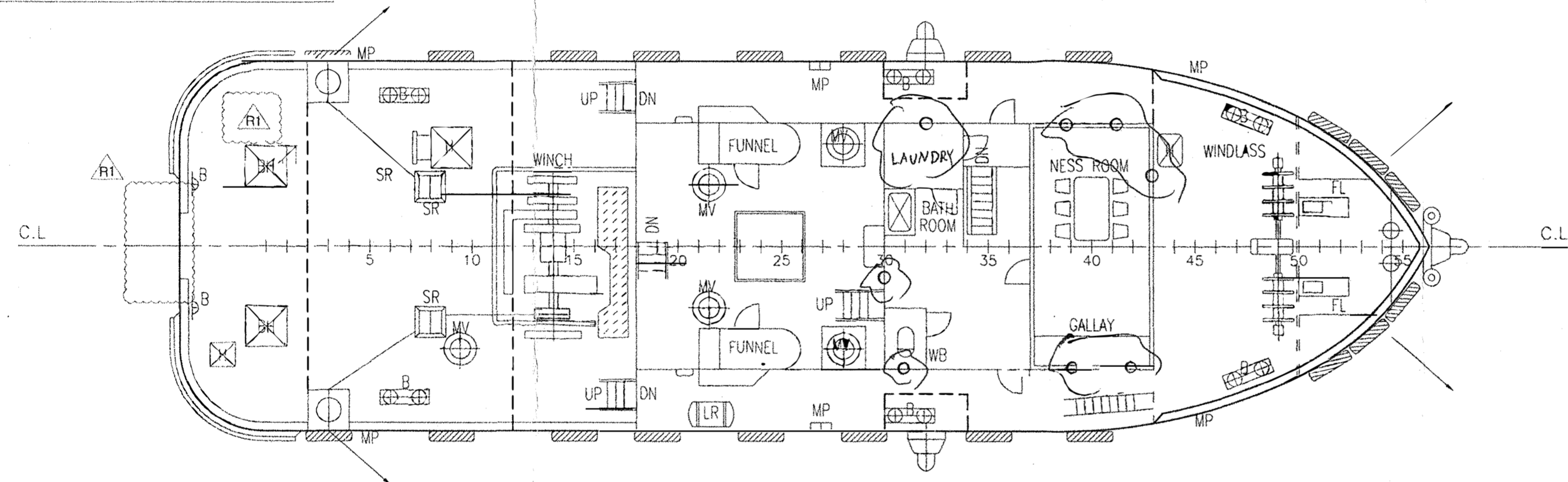
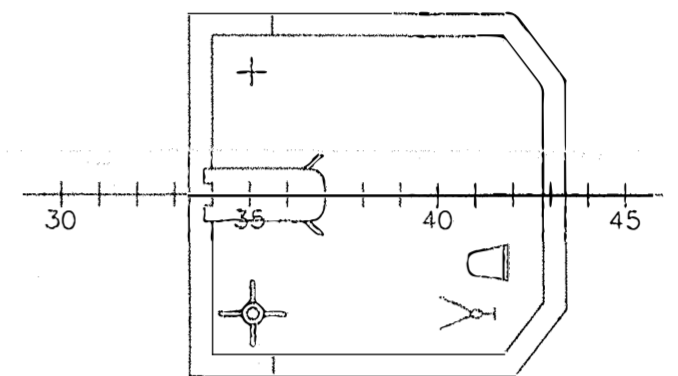
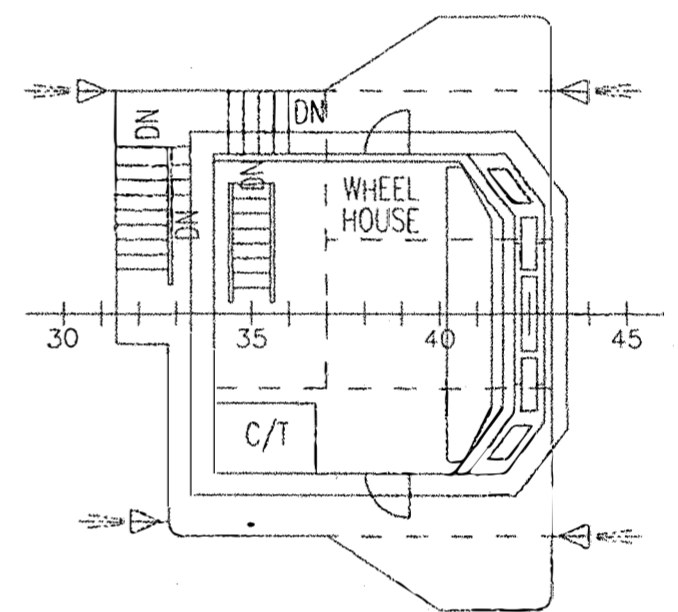


UPPER DECK PLAN

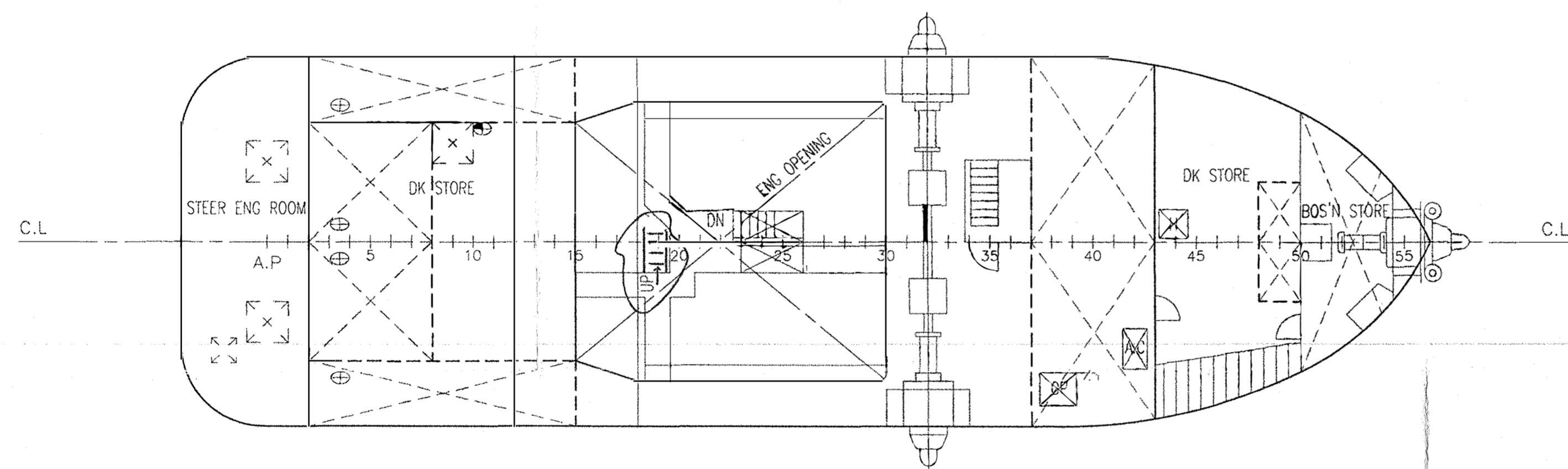
WHEEL HOUSE TOP



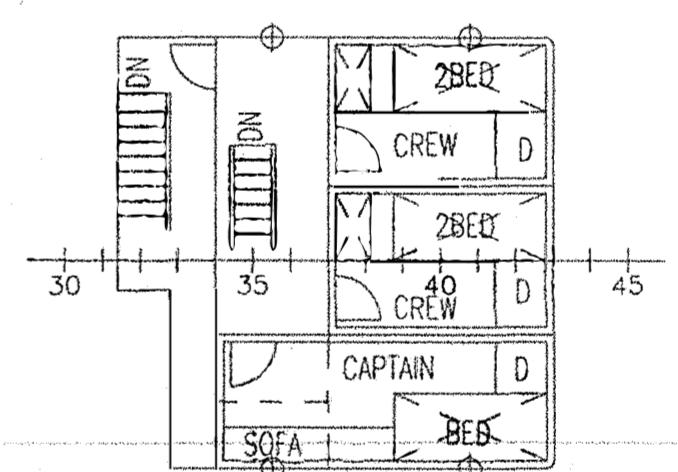
NAV BRI DECK PLAN



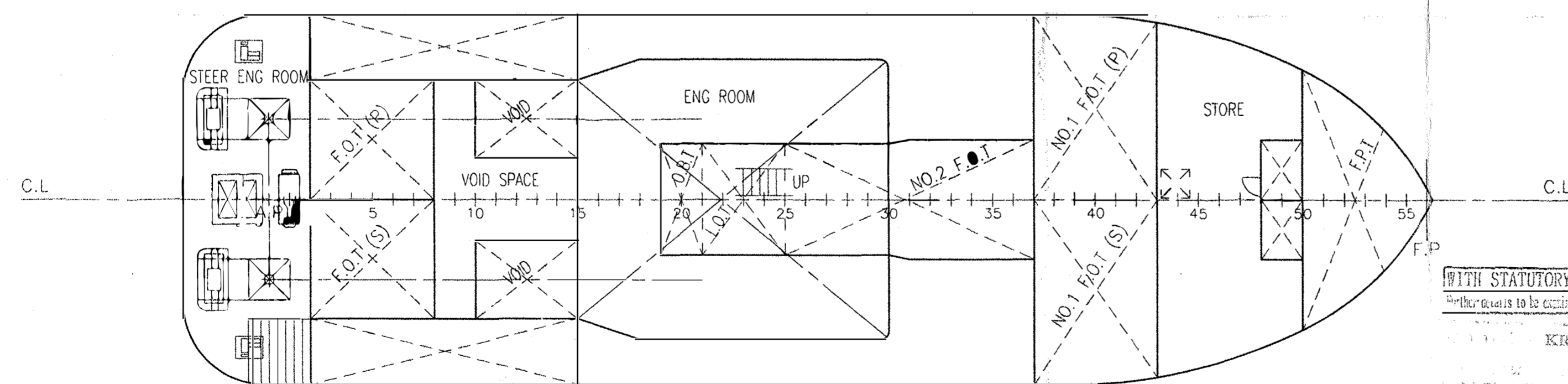
FREEBOARD DECK PLAN



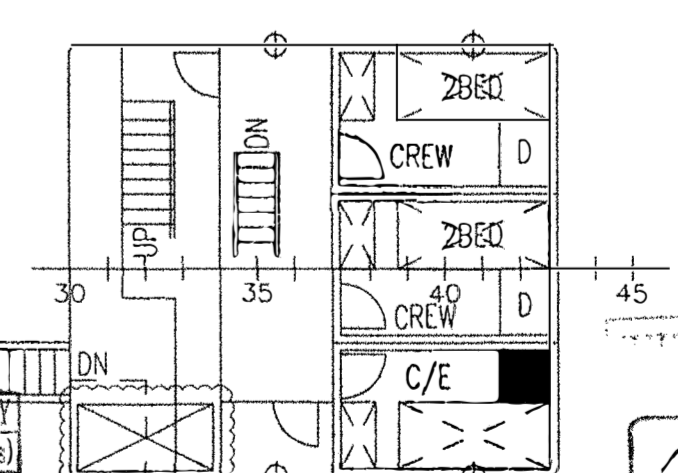
NAV DECK PLAN



BOTTOM PLAN



CAPT BRI DECK PLAN



FOR OWNER

WITH STATUTORY ASPECT ONLY  
 (The drawings to be certified as relevant drawings)

APPROVED  
 2018.10.22  
 KOB  
 Cho Yoon-Sang

ISSUED FOR APPROVAL  
 2018.09.17

PRINCIPAL DIMENSIONS

LENGTH	O.	A.	30.25 M
LENGTH	B.	P.	28.00 M
BREADTH	( M L D. )		9.00 M
DEPTH	( UPPER DK. )		4.50 M
DEPTH	( FREEBOARD DK. )		3.50 M
DRAFT	( D.L.W.L. )		3.10 M

SHIP YARD :	YARD NO. :
PROJECT	GENERAL ARRANGEMENT
APP. BY : M. E. Baek	
CHK. BY : J. N. Kim	
DWN. BY : H. C. Cho	
SCALE : 1/100	
<b>MIRAE</b>	