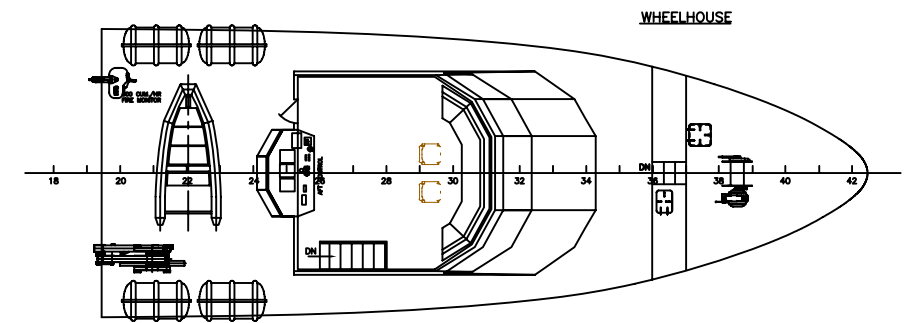
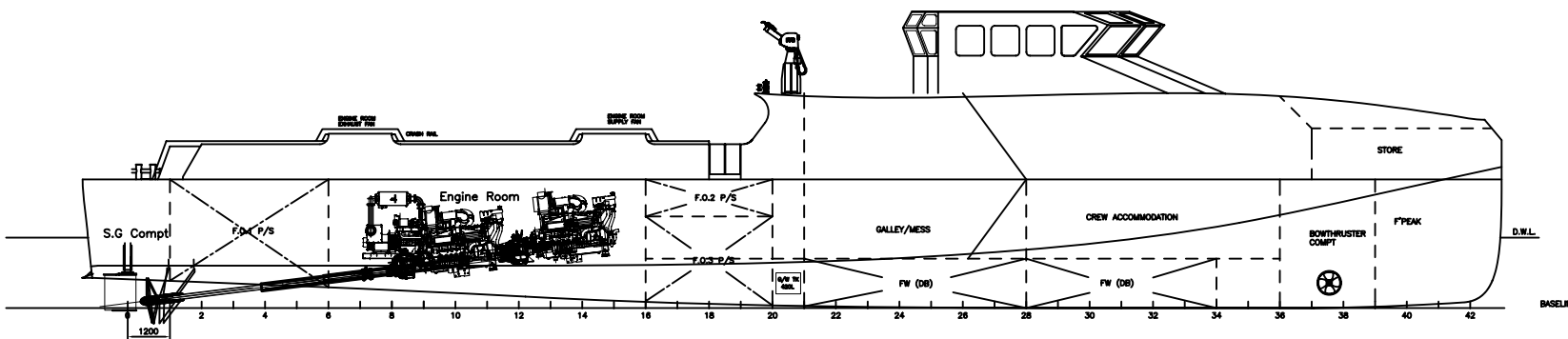


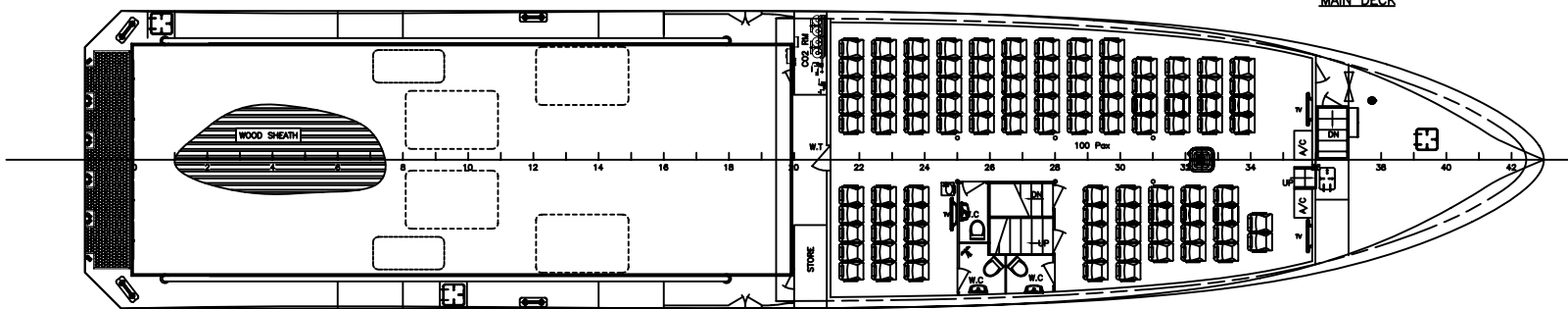
PROFILE



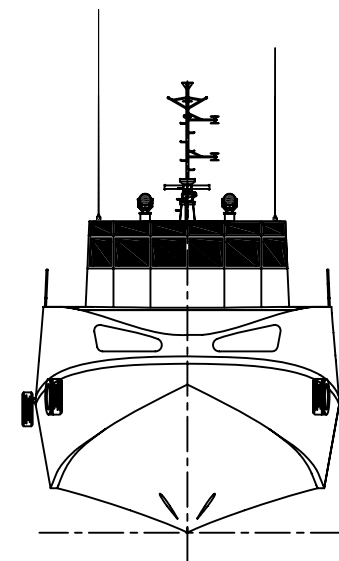
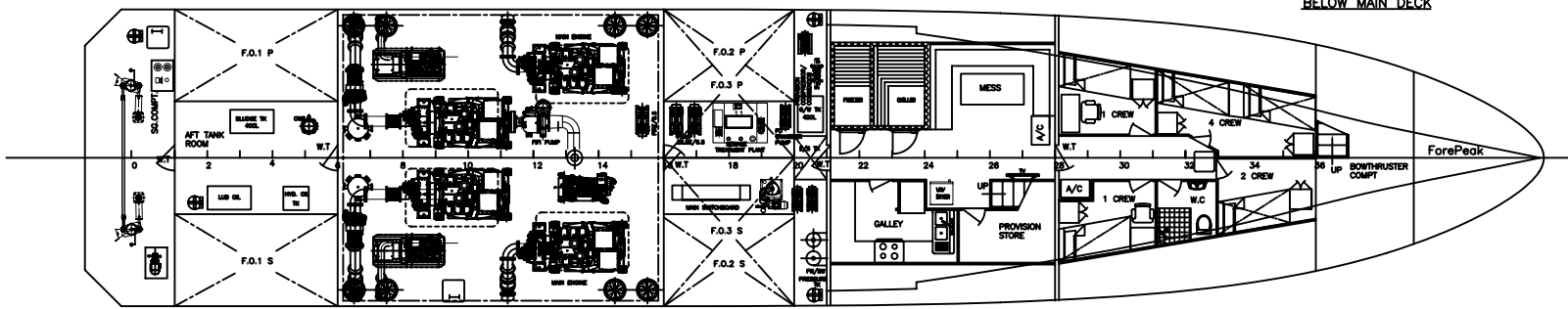
WHEELHOUSE



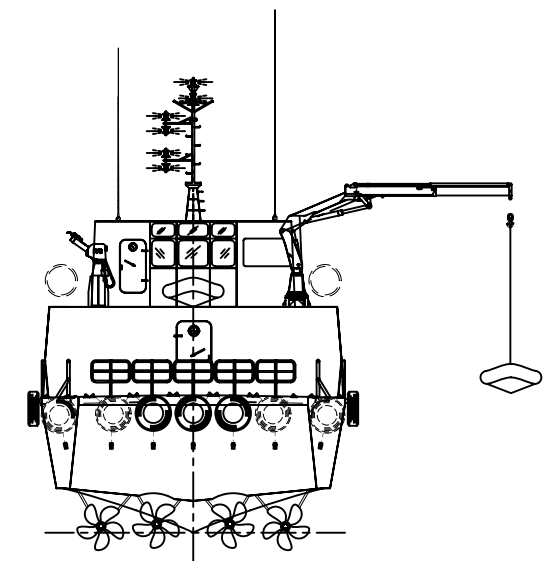
MAIN DECK



BELOW MAIN DECK



FWD VIEW



AFT VIEW

PRINCIPAL PARTICULARS

LENGTH O.A.	40.27 M
LENGTH B.P.	38.95 M
BREADTH MLD.	8.20 M
DEPTH MLD.	3.65 M
DESIGN DRAFT	2.00 M
COMPLEMENT	8 CREW 100 OFFSHORE WORKERS

3						
2						
1						
NO.	SYMBOL	DESCRIPTION	QTY.	MATERIAL	REMARK	
MARK	QTY	REVISION NO.	REVISER	CHECKED	REVIEWED	DATE
PROJECT	40m CREW BOAT		DWG. NO.			
TITLE:	GENERAL ARRANGEMENT		DESIGNED	DATE	SHIP NO.	
CLASS	MATERIAL	WEIGHT	CHECKED	DATE	SCALE	
			STANDARD	DATE	REV.	
			REVIEWED	DATE	SIZE	
			APPROVED	DATE	SHEET	

CONTERSIGN

OLD CHECK NO.

CHECK NO.