

- 64.9 m TOP OF WHEELHOUSE
- 60.55 m FLOOR IN WHEELHOUSE
- 56.5 m NAV. DECK
- 53.0 m 3:RD ACCOMMODATION DECK
- 51.5 m DRILL FLOOR
- 49.5 m 2:ND ACCOMMODATION DECK
- 46.0 m 1:ST ACCOMMODATION DECK
- 42.5 m UPPER DECK
- 39.0 m TWEEN DECK
- 35.5 m LOWER DECK
- 34.0 m BOX BOTTOM

PRINCIPAL DIMENSION		도면번호표
LENGTH O. A. ABT.	119.2 M	선체길이(외측) 1
BEAM OVER ALL ABT.	96.7 M	선체너비(외측) 1
BEAM OUTSIDE PONTOONS	78.08 M	선체너비(외측) 1
HEIGHT TO BOX BOTTOM	34.00 M	선체높이(외측) 1
HEIGHT TO UPPER DECK	42.50 M	선체높이(외측) 1
LENGTH OF PONTOONS	108.80 M	선체길이(외측) 1
BEAM OF PONTOONS	17.28 M	선체너비(외측) 1
HEIGHT OF PONTOONS	10.24 M	선체높이(외측) 1
COLUMN LxB	18.40x14.40 M	선체너비(외측) 2
(CORNER RADIUS 3.20 M)		선체너비(외측) 1
NORMAL OPERATION DRAUGHT	23.00 M	선체높이(외측) 1
SURVIVAL DRAUGHT	19.00 M	선체높이(외측) 1
TRANSIT DRAUGHT	9.94 M	선체높이(외측) 1
IR GAP AT STILL WATER	11.00 M	선체높이(외측) 2
(FROM 23.00 M)		선체높이(외측) 1

PLAN HISTORY					
DATE	REV. NO.	DESCRIPTION	DWN.	CHKD.	APPD.
10.08.30	Z	AS-BUILT	S.H.HONG	Y.S.KIM	H.K.SEO
TOTAL 74					

THIS DRAWING OR DOCUMENT IS THE PROPERTY OF DAEWOO SHIPBUILDING & MARINE ENGINEERING CO., LTD. AND MUST NOT BE PARTIALLY OR WHOLLY COPIED OR USED FOR ANY OTHER PURPOSE WITHOUT PRIOR WRITTEN PERMISSION OF DAEWOO.

PROJ. NO. 3026 PROJECT GVA 7500 SEMI-DRILLING RIG
Moderate Environment Deepwater Unit

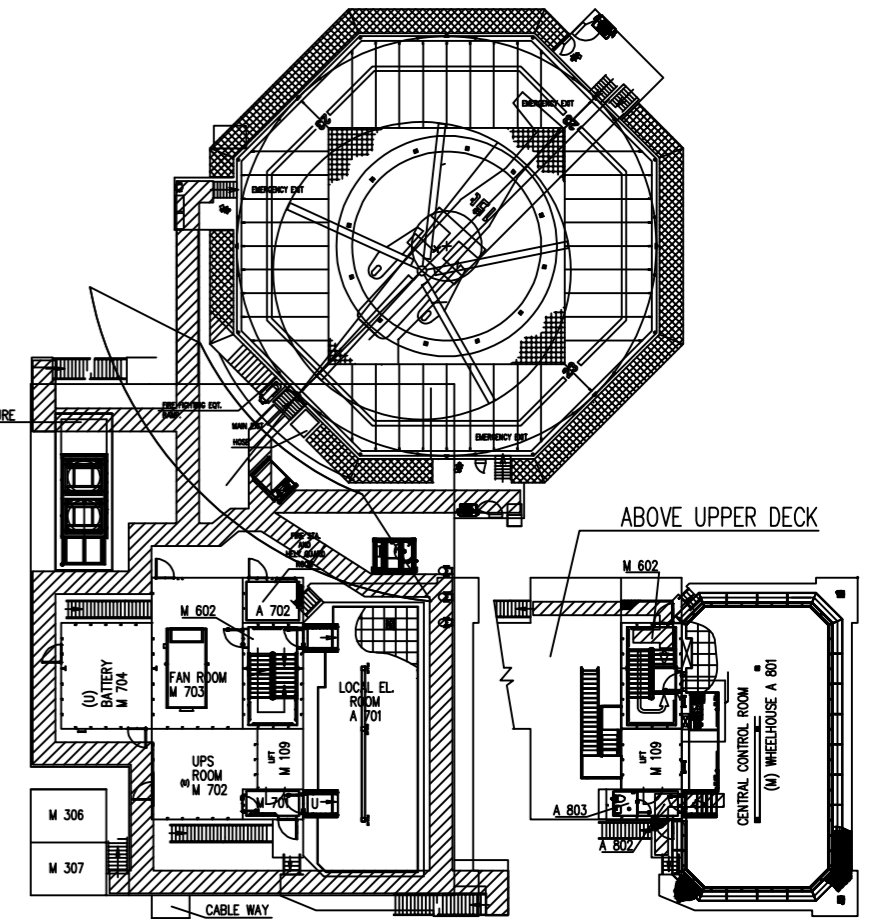
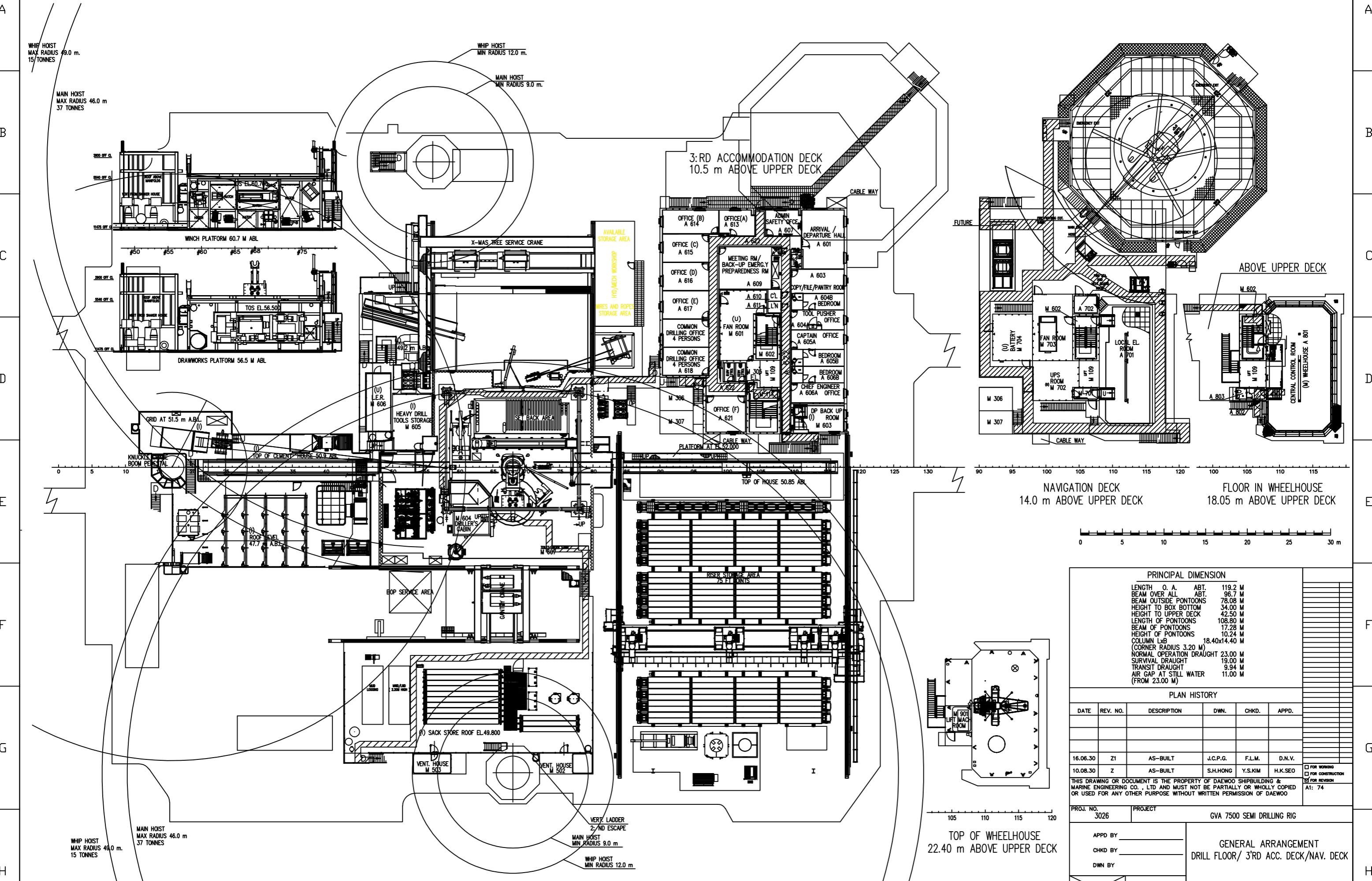
APPD BY 서형관(H.K. SEO) T.055-680-4008
CHKD BY 김양수(Y.S. KIM) T.055-680-4016
DWN BY 홍성훈(S.H. HONG) M.P. 010-7514-0282 T.055-680-5281

TITLE: GENERAL ARRANGEMENT STB SIDE VIEW

SHEET 1/11

DATE 2010.08.30 SCALE 1/200 DWG. NO. 3026DA031Z001 REV. NO. 1

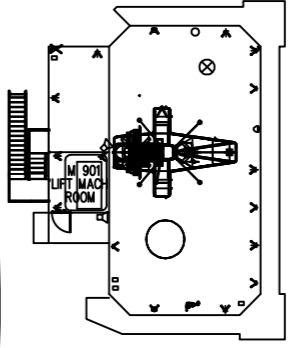
DAEWOO SHIPBUILDING & MARINE ENGINEERING CO., LTD.



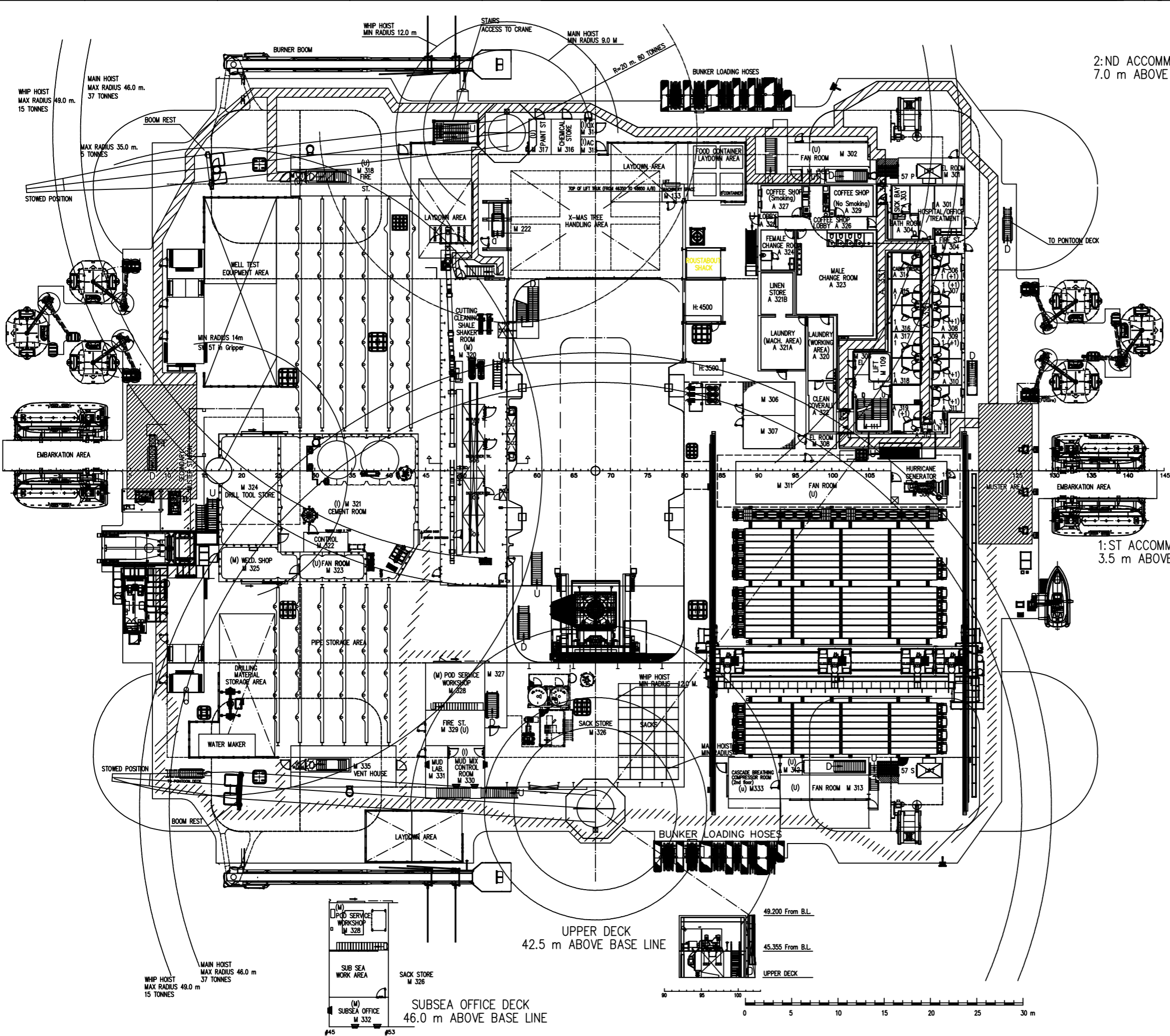
PRINCIPAL DIMENSION	
LENGTH O. A.	ABT. 119.2 M
BEAM OVER ALL	ABT. 96.7 M
BEAM OUTSIDE PONTOONS	78.08 M
HEIGHT TO BOX BOTTOM	34.00 M
HEIGHT TO UPPER DECK	42.50 M
LENGTH OF PONTOONS	108.80 M
BEAM OF PONTOONS	17.28 M
HEIGHT OF PONTOONS	10.24 M
COLUMN LxB	18.40x14.40 M
CORNER RADIUS	3.20 M
NORMAL OPERATION DRAUGHT	23.00 M
SURVIVAL DRAUGHT	19.00 M
TRANSIT DRAUGHT	9.94 M
AIR GAP AT STILL WATER (FROM 23.00 M)	11.00 M

PLAN HISTORY					
DATE	REV. NO.	DESCRIPTION	DWN.	CHKD.	APPD.
16.06.30	Z1	AS-BUILT	J.C.P.G.	F.L.M.	D.N.V.
10.08.30	Z	AS-BUILT	S.H.HONG	Y.S.KIM	H.K.SEO

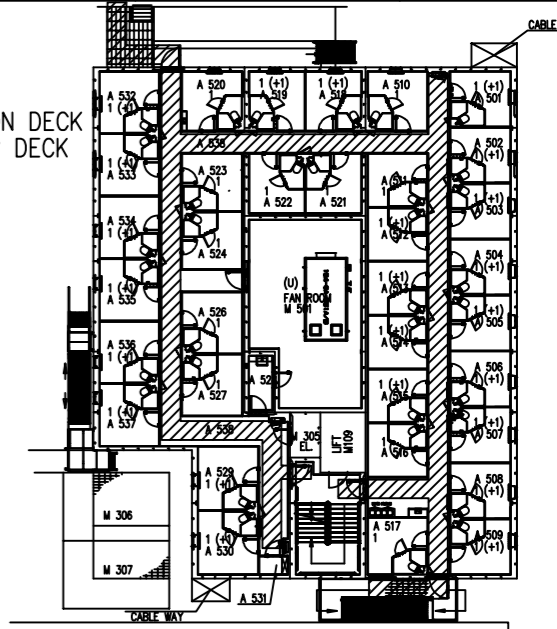
PROJ. NO.	3026	PROJECT	GVA 7500 SEMI DRILLING RIG
APPD BY		GENERAL ARRANGEMENT DRILL FLOOR/ 3'RD ACC. DECK/NAV. DECK	
CHKD BY			
DWN BY			
DATE	2013.2.02	SCALE	1/200
DWG. No.	3026DA031Z001	REV NO	Z1



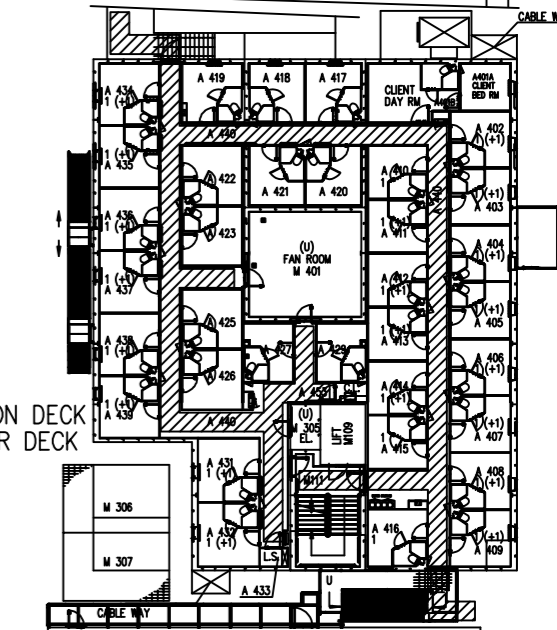
TOP OF WHEELHOUSE
22.40 m ABOVE UPPER DECK
FRAME SPACING 800 mm



2:ND ACCOMMODATION DECK
7.0 m ABOVE UPPER DECK



1:ST ACCOMMODATION DECK
3.5 m ABOVE UPPER DECK



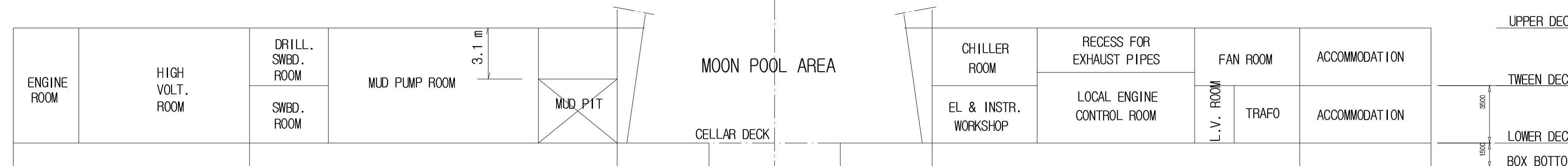
PRINCIPAL DIMENSION	
LENGTH O. A.	ABT. 119.2 M
BEAM OVER ALL	ABT. 96.7 M
BEAM OUTSIDE PONTOONS	78.08 M
HEIGHT TO BOX BOTTOM	34.00 M
HEIGHT TO UPPER DECK	42.50 M
LENGTH OF PONTOONS	108.80 M
BEAM OF PONTOONS	17.28 M
HEIGHT OF PONTOONS	10.24 M
COLUMN LxB	18.40x14.40 M
CORNER RADIUS	3.20 M
NORMAL OPERATION DRAUGHT	23.00 M
SURVIVAL DRAUGHT	19.00 M
TRANSIT DRAUGHT	9.94 M
AIR GAP AT STILL WATER (FROM 23.00 M)	11.00 M

PLAN HISTORY					
DATE	REV. NO.	DESCRIPTION	DWN.	CHKD.	APPD.
16.06.30	Z1	AS-BUILT	J.C.P.G.	F.L.M.	DNV
10.08.30	Z	AS-BUILT	S.H.HONG	Y.S.KIM	H.K.SEO

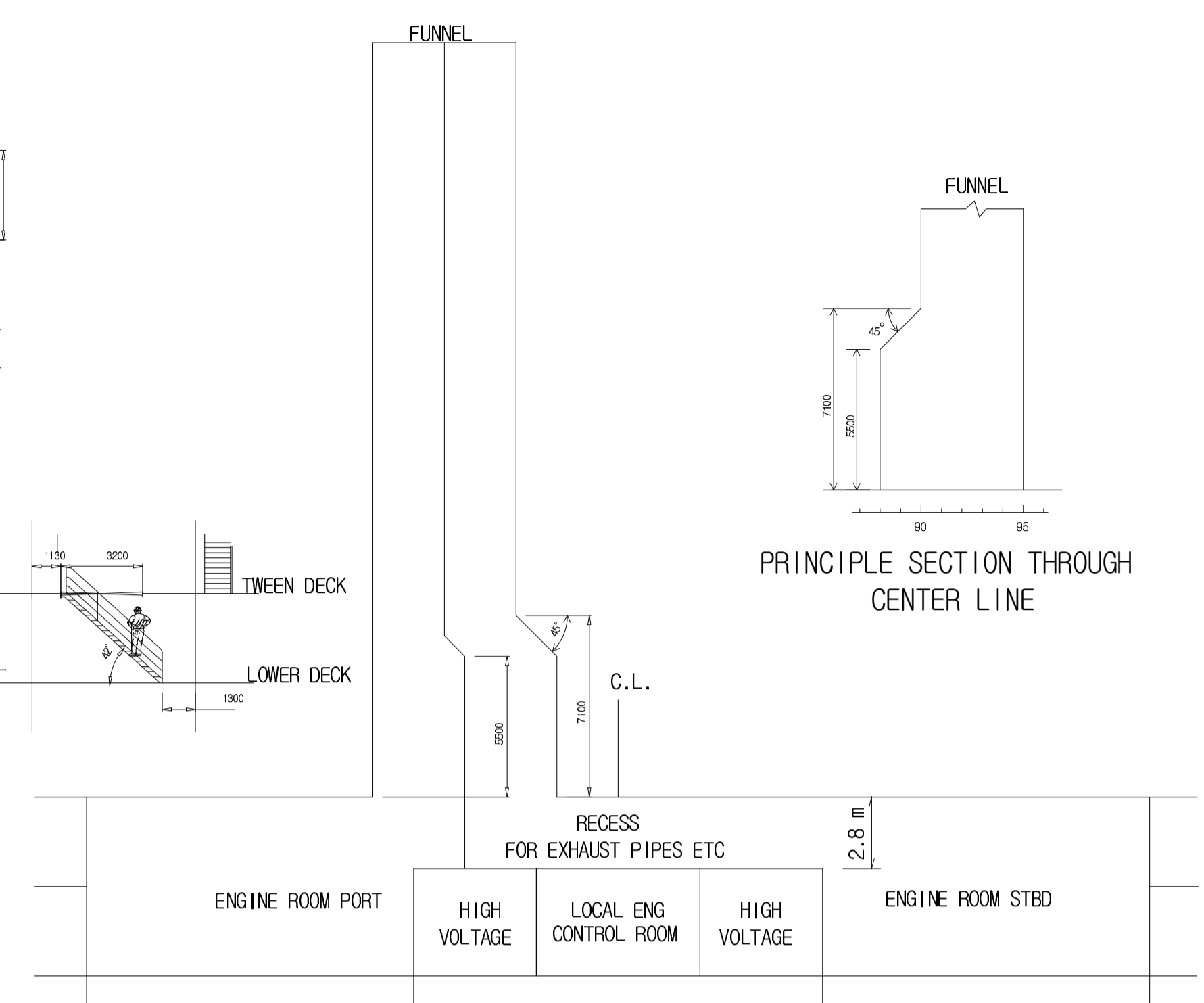
THIS DRAWING OR DOCUMENT IS THE PROPERTY OF DAEWOO SHIPBUILDING & MARINE ENGINEERING CO., LTD AND MUST NOT BE PARTIALLY OR WHOLLY COPIED OR USED FOR ANY OTHER PURPOSE WITHOUT WRITTEN PERMISSION OF DAEWOO

PROJ. NO.	3026	PROJECT	GVA 7500 SEMI DRILLING RIG
APPD BY		GENERAL ARRANGEMENT UPPER DECK/ 1'ST & 2'ND ACC. DECK	
CHKD BY			
DWN BY			

DATE	2013.2.02	SCALE	1/200	DWG. No.	3026DA031Z001	REV NO	Z1
------	-----------	-------	-------	----------	---------------	--------	----

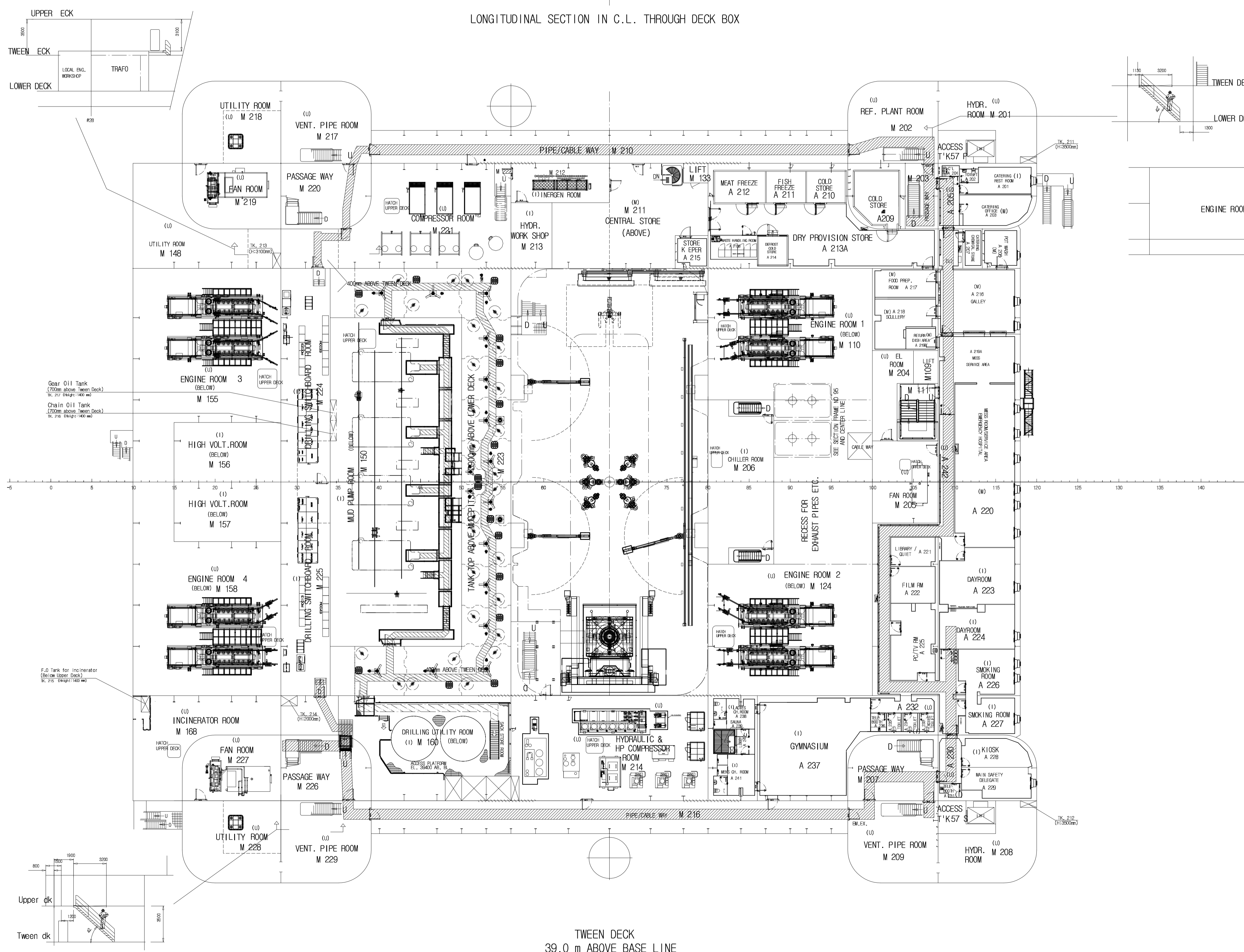


LONGITUDINAL SECTION IN C.L. THROUGH DECK BOX



PRINCIPLE SECTION THROUGH CENTER LINE

PRINCIPLE SECTION THROUGH FRAME NO 95



TWEEN DECK
39.0 m ABOVE BASE LINE

PRINCIPAL DIMENSION

LENGTH O. A. ABT.	119.2 M
BEAM OVER ALL ABT.	96.7 M
BEAM OUTSIDE PONTOONS	78.08 M
HEIGHT TO BOX BOTTOM	34.00 M
HEIGHT TO UPPER DECK	42.50 M
LENGTH OF PONTOONS	108.80 M
BEAM OF PONTOONS	17.28 M
HEIGHT OF PONTOONS	10.24 M
COLUMN LxB	18.40x14.40 M
(CORNER RADIUS 3.20 M)	
NORMAL OPERATION DRAUGHT	23.00 M
SURVIVAL DRAUGHT	19.00 M
TRANSIT DRAUGHT	9.94 M
AIR GAP AT STILL WATER	11.00 M
(FROM 23.00 M)	

PLAN HISTORY

DATE	REV. NO.	DESCRIPTION	DWN.	CHKD.	APPD.	
10.08.30	Z	AS-BUILT	S.H.HONG	Y.S.KIM	H.K.SEO	
TOTAL						74

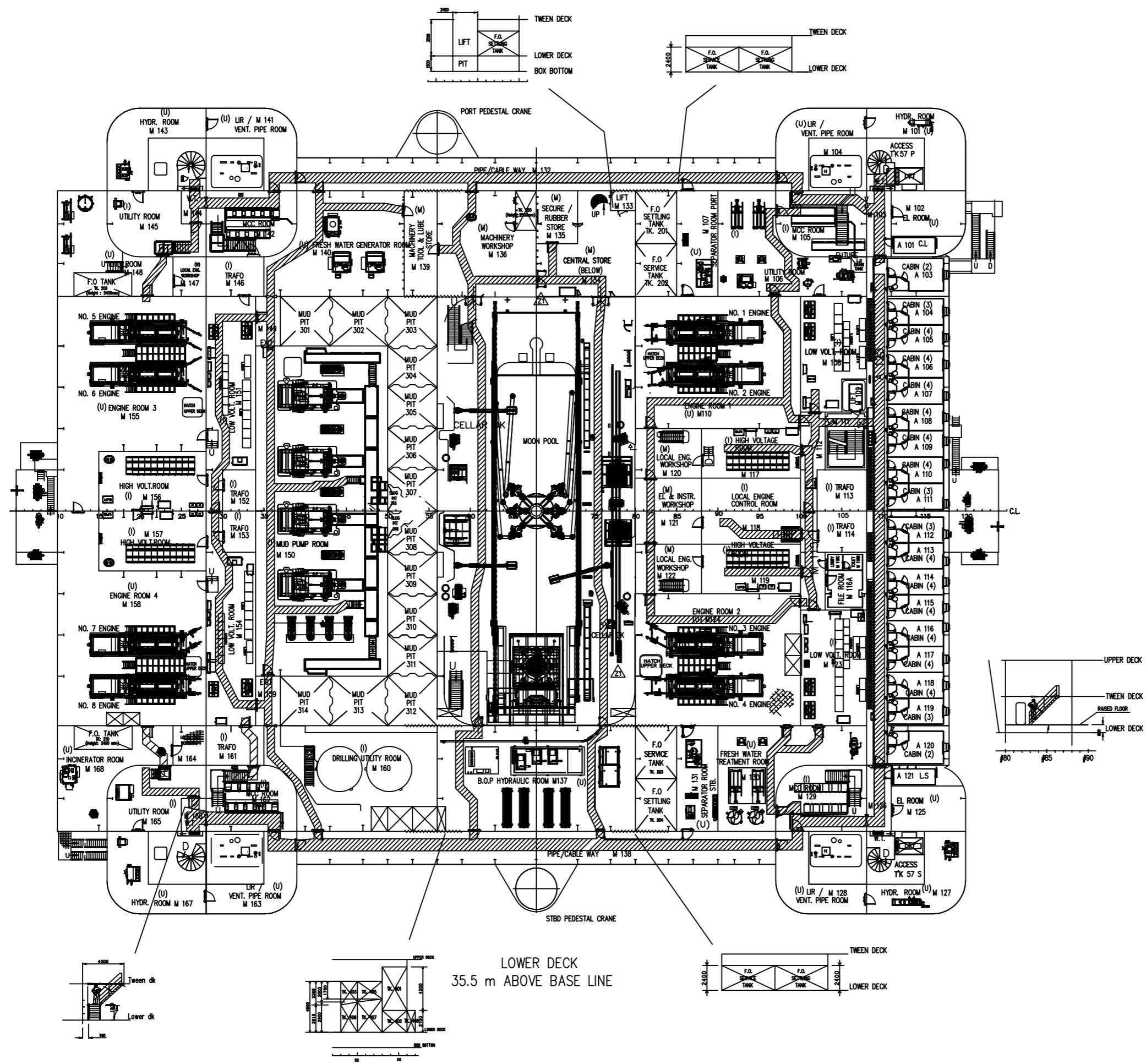
PROJECT GVA 7500 SEMI-DRILLING RIG
Moderate Environment Deepwater Unit

APPROVED BY: 서형관 (H.K. SEO) T.055-680-4004
CHKD BY: 김양수 (Y.S. KIM) T.055-680-4016
DWN BY: 홍성훈 (S.H. HONG) M.P. 010-7514-0282 T.055-680-5281

TITLE: GENERAL ARRANGEMENT TWEEN DECK

DATE: 2010.8.30 SCALE: 1/200 DWG. NO.: 3026DA0312001 SHEET: 4/11 REV. NO.: 1

DAEWOO SHIPBUILDING & MARINE ENGINEERING CO., LTD.



PRINCIPAL DIMENSION

LENGTH O. A.	ABT.	119.2 M
BEAM OVER ALL	ABT.	96.7 M
BEAM OUTSIDE PONTOONS		78.08 M
HEIGHT TO BOX BOTTOM		34.00 M
HEIGHT TO UPPER DECK		42.50 M
LENGTH OF PONTOONS		108.80 M
BEAM OF PONTOONS		17.28 M
HEIGHT OF PONTOONS		10.24 M
COLUMN LxB		18.40x14.40 M
(CORNER RADIUS 3.20 M)		
NORMAL OPERATION DRAUGHT		23.00 M
SURVIVAL DRAUGHT		19.00 M
TRANSIT DRAUGHT		9.94 M
AIR GAP AT STILL WATER		11.00 M
(FROM 23.00 M)		

PLAN HISTORY

DATE	REV. NO.	DESCRIPTION	DWN.	CHKD.	APPD.
16.06.30	Z1	AS-BUILT	J.C.P.G.	F.L.M.	D.N.V.
10.08.30	Z	AS-BUILT	S.H.HONG	Y.S.KIM	H.K.SEO

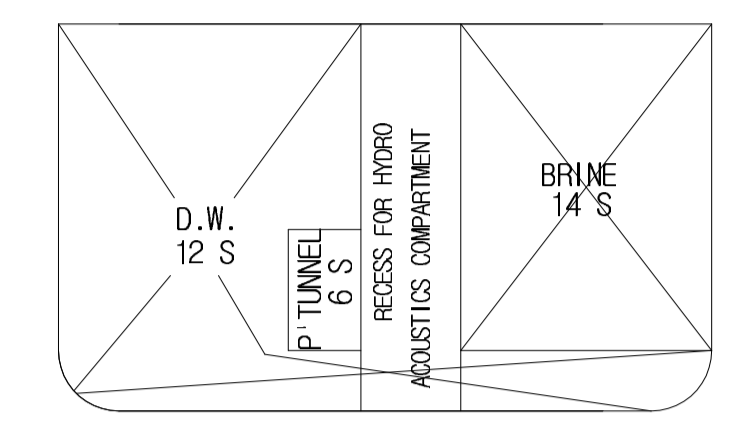
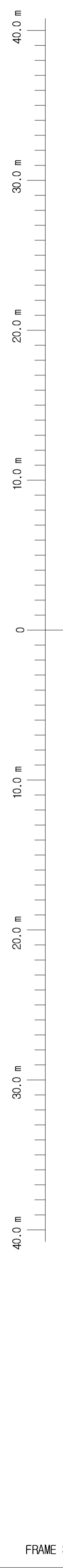
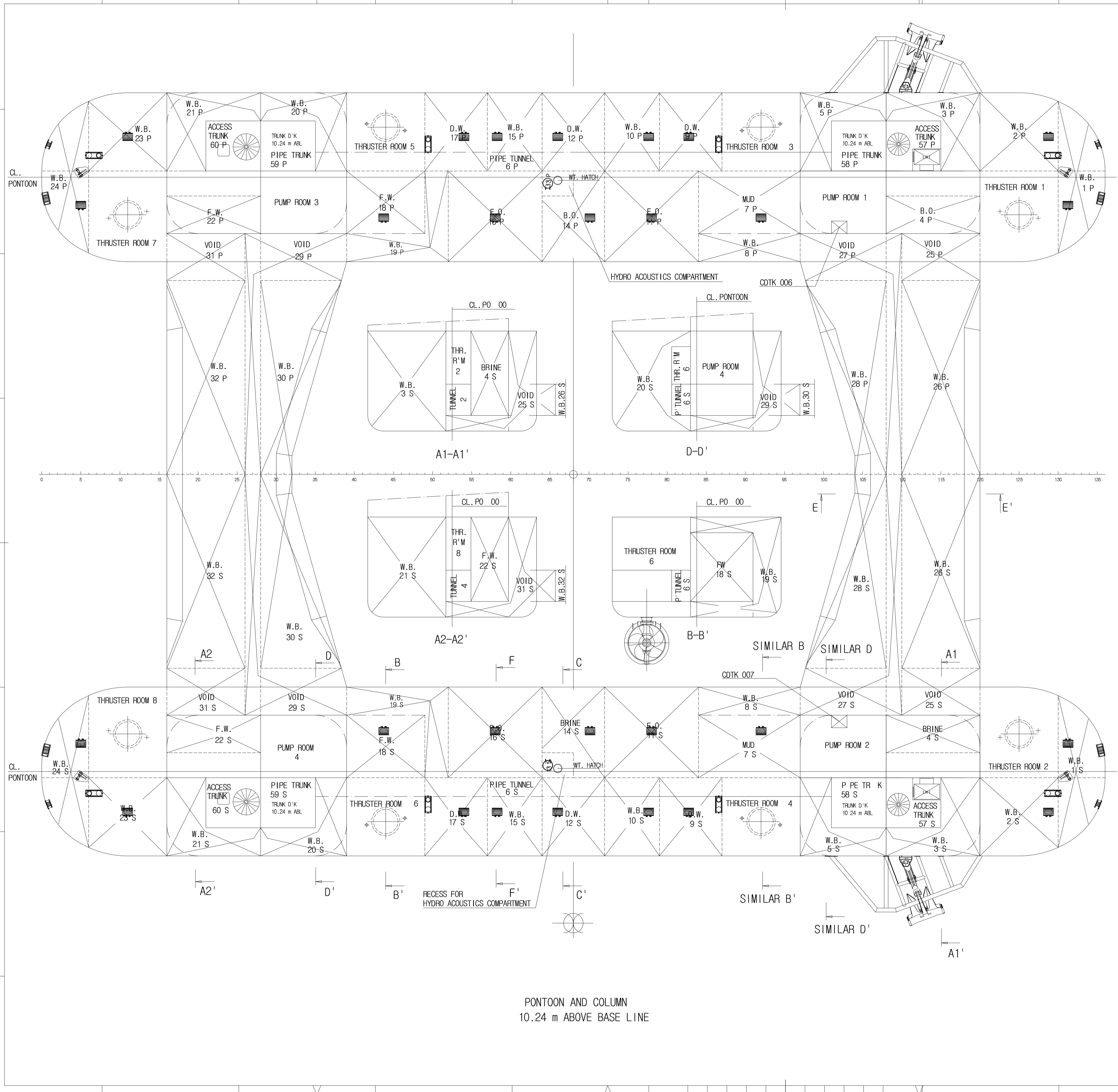
THIS DRAWING OR DOCUMENT IS THE PROPERTY OF DAEWOO SHIPBUILDING & MARINE ENGINEERING CO., LTD AND MUST NOT BE PARTIALLY OR WHOLLY COPIED OR USED FOR ANY OTHER PURPOSE WITHOUT WRITTEN PERMISSION OF DAEWOO

PROJ. NO. 3026 PROJECT GVA 7500 SEMI DRILLING RIG

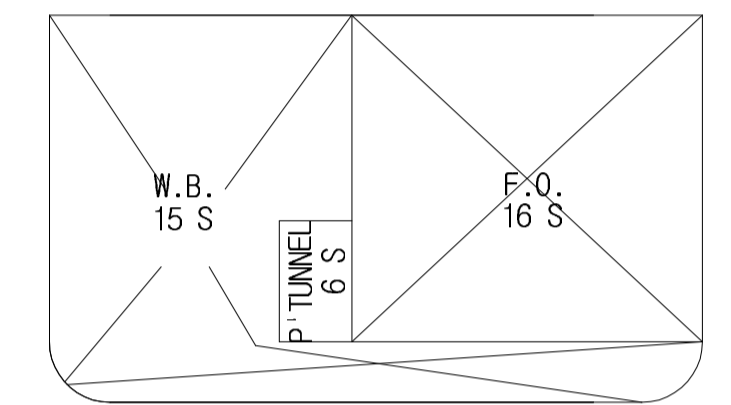
GENERAL ARRANGEMENT LOWER DECK

APPD BY _____
 CHKD BY _____
 DWN BY _____

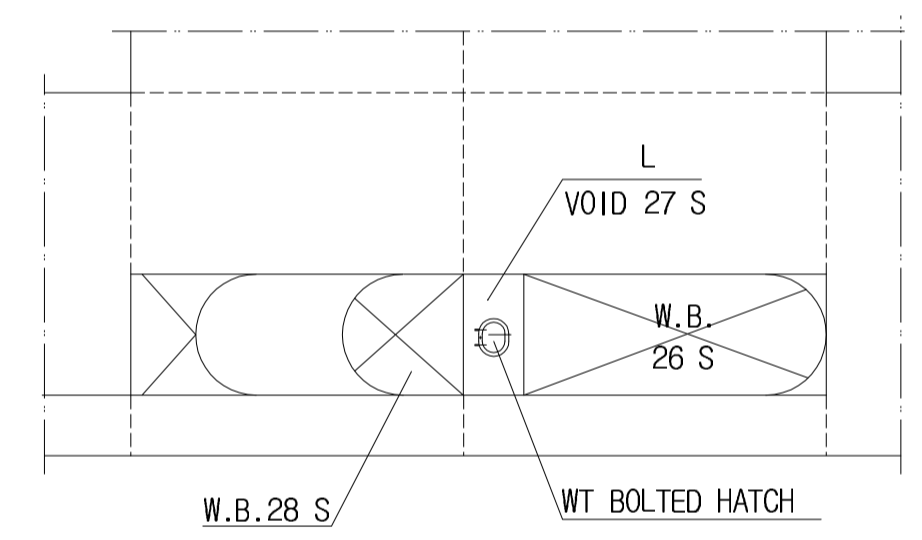
DATE 2013.2.02 SCALE 1/200 Dwg. No. 3026DA0312001 REV NO Z1



C-C'



F-F'



E-E'



PRINCIPAL DIMENSION	
LENGTH O. A.	119.2 M
BEAM OVER ALL	96.7 M
BEAM OUTSIDE PONTOONS	78.08 M
HEIGHT TO BOX BOTTOM	34.00 M
HEIGHT TO UPPER DECK	42.50 M
LENGTH OF PONTOONS	108.80 M
BEAM OF PONTOONS	17.28 M
HEIGHT OF PONTOONS	10.24 M
COLUMN LxB	18.40x14.40 M
(CORNER RADIUS 3.20 M)	
NORMAL OPERATION DRAUGHT	23.00 M
SURVIVAL DRAUGHT	19.00 M
TRANSIT DRAUGHT	9.94 M
AIR GAP AT STILL WATER	11.00 M
(FROM 23.00 M)	

PLAN HISTORY					
DATE	REV. NO.	DESCRIPTION	DWN.	CHKD.	APPD.
10.08.30	Z	AS-BUILT	S.H.HONG	Y.S.KIM	H.K.SEO

THIS DRAWING OR DOCUMENT IS THE PROPERTY OF DAEWOO SHIPBUILDING & MARINE ENGINEERING CO., LTD. AND MUST NOT BE PARTIALLY OR WHOLLY COPIED OR USED FOR ANY OTHER PURPOSE WITHOUT PRIOR WRITTEN PERMISSION OF DAEWOO.

PROJ. NO.	3026	PROJECT	GVA 7500 SEMI-DRILLING RIG Moderate Environment Deepwater Unit
APPD BY	서형균(H.K. SEO) T.055-680-4001	CHKD BY	김양수(Y.S. KIM) T.055-680-4016
DWN BY	홍성훈(S.H. HONG) M.P. 010-7514-0262 T.055-680-5281	TITLE	GENERAL ARRANGEMENT PONTOONS & COLUMNS
DATE	2010.8.30	SCALE	1/200
DWG. NO.	3026DA0312001	REV. NO.	1
SHEET 6/11		DAEWOO SHIPBUILDING & MARINE ENGINEERING CO., LTD.	

PONTOON AND COLUMN
10.24 m ABOVE BASE LINE

FRAME SPACING 800 mm

1 2 3 4 5 6 7 8 9 10 11 12

A

B

C

D

E

F

G

H

A

B

C

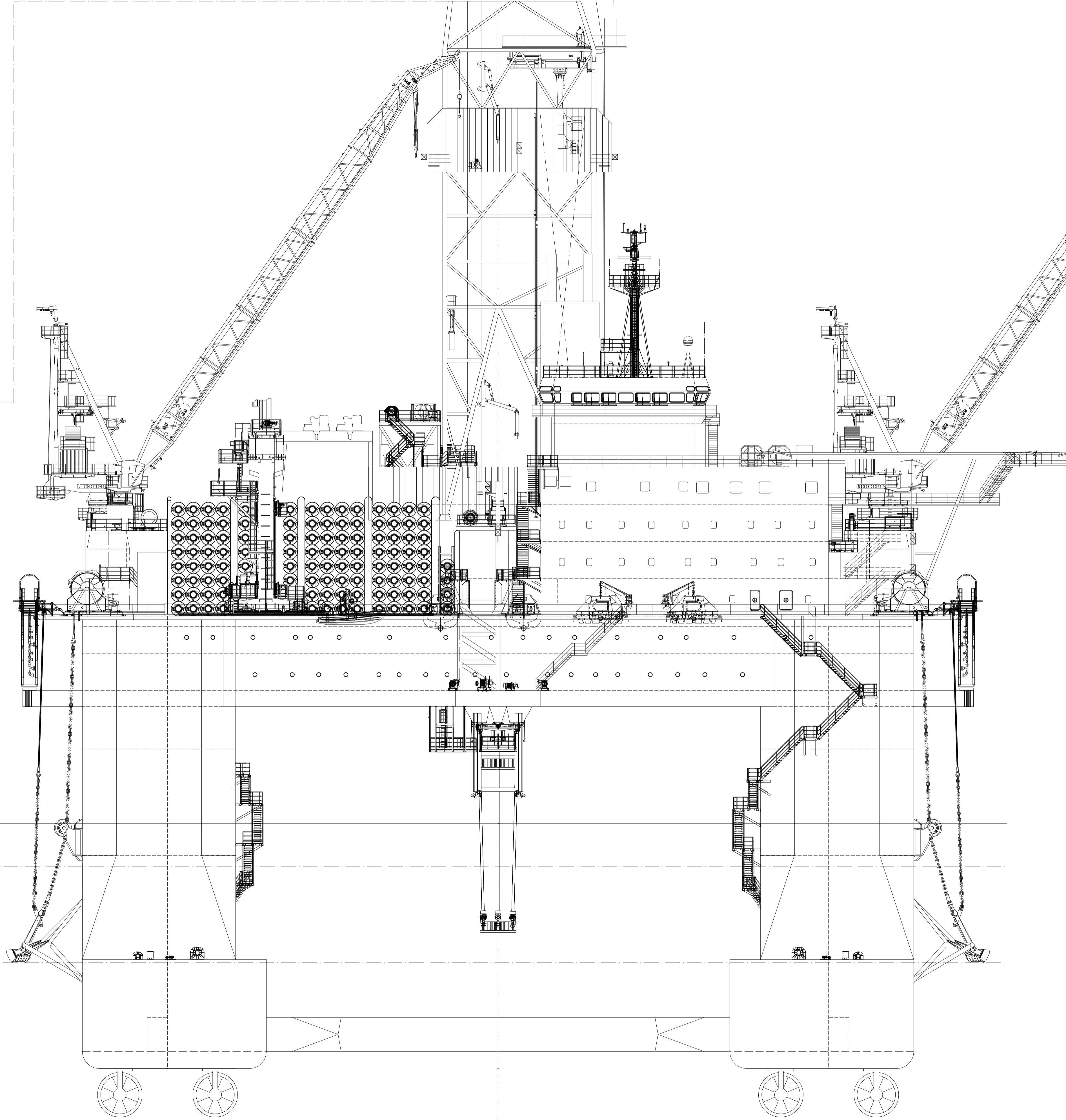
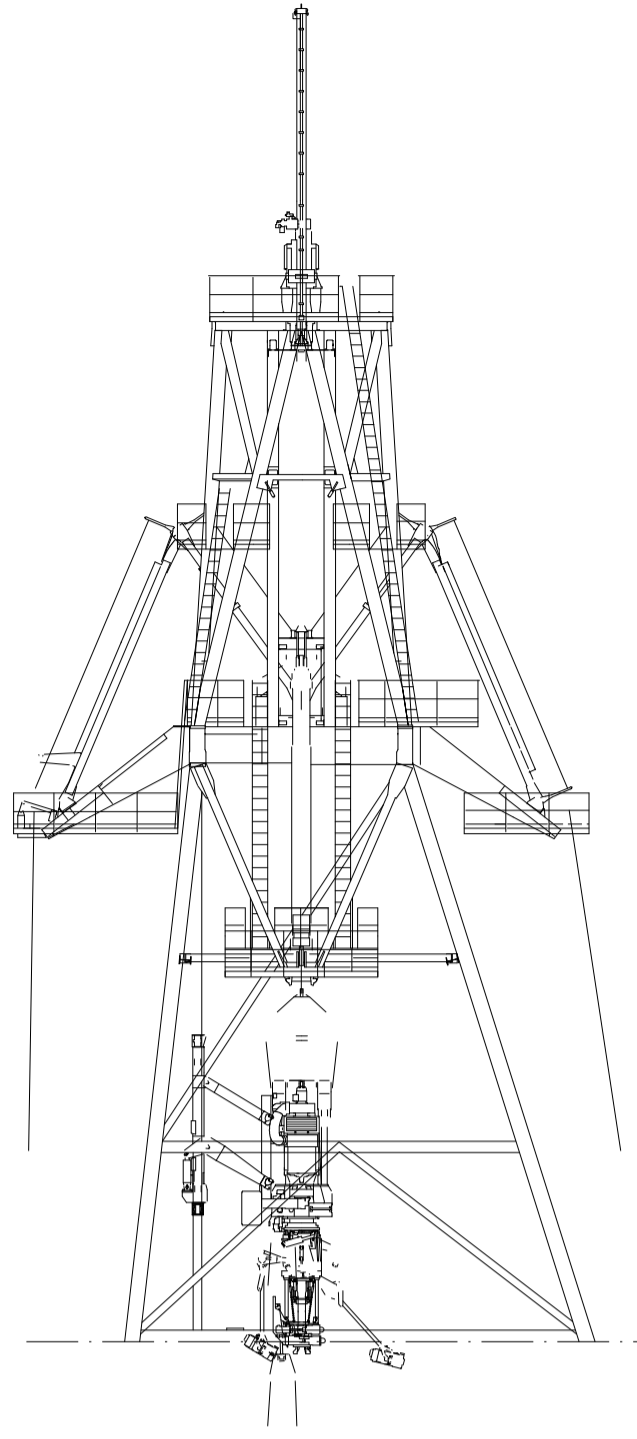
D

E

F

G

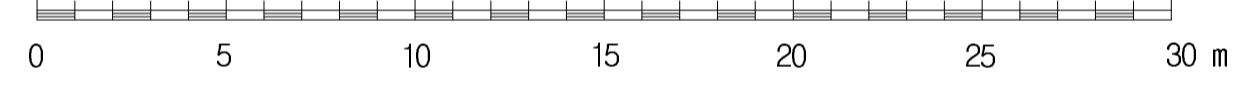
H



ORMAL OPERATIO DRAUGHT
23.0 m

SURVIVAL DRAUGHT
19.0 m

TRANSIT DRAUGHT
9.94 m



PRINCIPAL DIMENSION		도면배표선
LENGTH O. A.	119.2 M	전체길이
BEAM OVER ALL	96.7 M	전체폭
BEAM OUTSIDE PONTOONS	78.08 M	부표외폭
HEIGHT TO BOX BOTTOM	34.00 M	상부구조물높이
HEIGHT TO UPPER DECK	42.50 M	상부구조물높이
LENGTH OF PONTOONS	108.80 M	부표길이
BEAM OF PONTOONS	17.28 M	부표폭
HEIGHT OF PONTOONS	10.24 M	부표높이
COLLUMN LxH	18.40x14.40 M	주춧돌크기
(CORNER RADIUS 3.20 M)		
NORMAL OPERATION DRAUGHT	23.00 M	정상작업수심
SURVIVAL DRAUGHT	19.00 M	생존수심
TRANSIT DRAUGHT	9.94 M	이동수심
AIR GAP AT STILL WATER	11.00 M	정수면에서 공기층
(FROM 23.00 M)		

PLAN HISTORY					
DATE	REV.NO.	DESCRIPTION	DWN.	CHKD.	APPD.
10.08.30	Z	AS-BUILT	S.H.HONG	Y.S. KIM	H.K. SEO

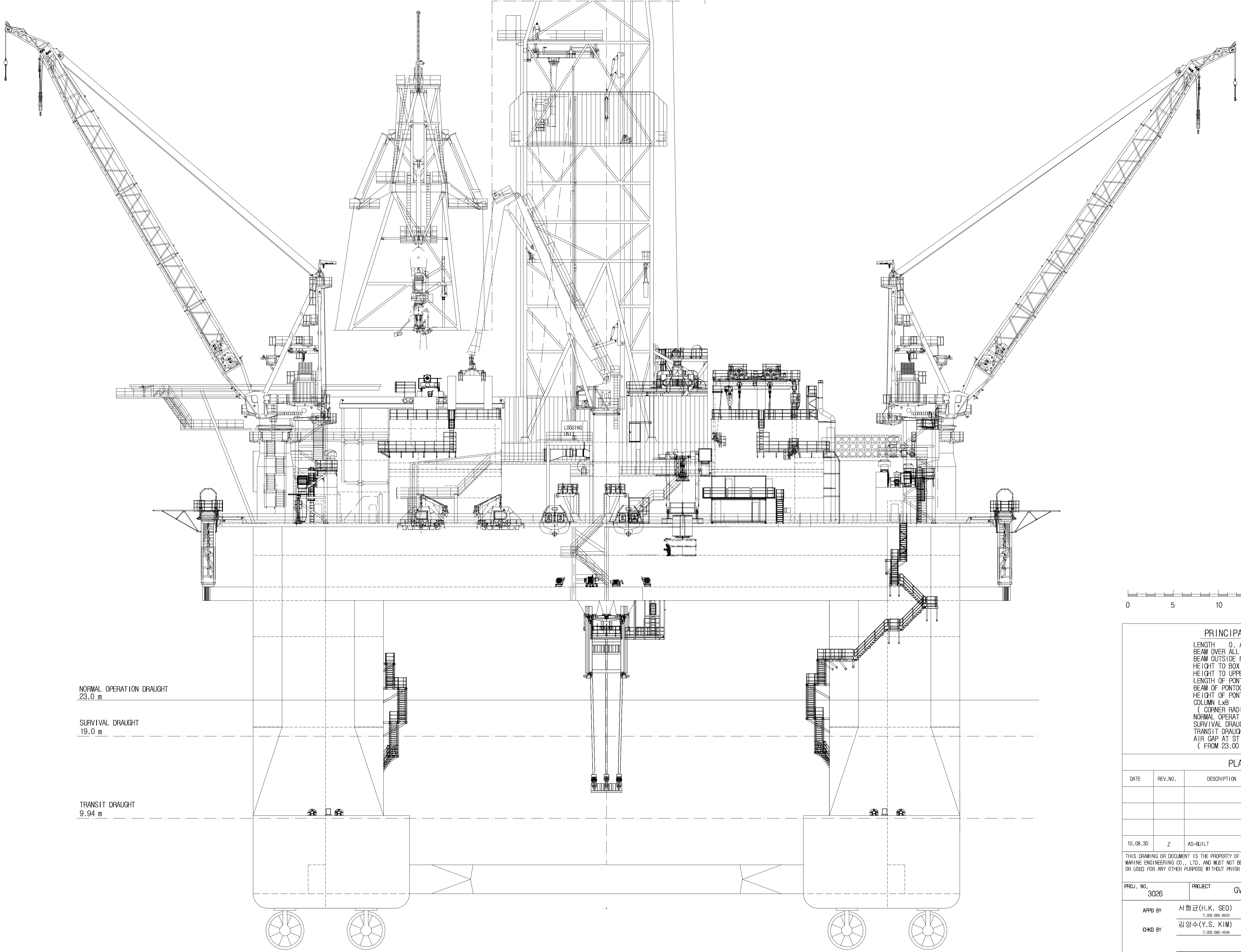
THIS DRAWING OR DOCUMENT IS THE PROPERTY OF DAEWOO SHIPBUILDING & MARINE ENGINEERING CO., LTD. AND MUST NOT BE PARTIALLY OR WHOLLY COPIED OR USED FOR ANY OTHER PURPOSE WITHOUT PRIOR WRITTEN PERMISSION OF DAEWOO.

PROJ. NO. 3026	PROJECT GVA 7500 SEMI DRILLING RIG Moderate Environment Deepwater Unit	TITLE: GENERAL ARRANGEMENT FRONT VIEW
APPD BY 서형관(H.K. SEO) T.055-680-4001	CHKD BY 김양수(Y.S. KIM) T.055-680-4016	DWN BY 홍성훈(S.H. HONG) M.P. 010-7514-0242 T.055-680-5281
DATE 2010.8.30	SCALE 1/200	DWG. NO. 3026DA0312001
SHEET 7/11		REV. NO. A

1 2 3 4 5 6 7 8 9 10 11 12

A
B
C
D
E
F
G
H

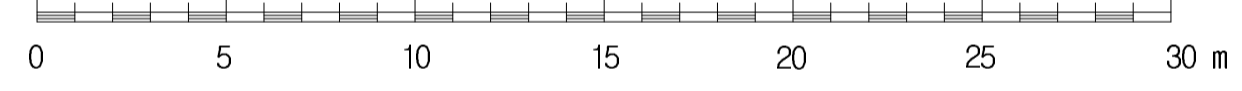
A
B
C
D
E
F
G
H



NORMAL OPERATION DRAUGHT
23.0 m

SURVIVAL DRAUGHT
19.0 m

TRANSIT DRAUGHT
9.94 m



PRINCIPAL DIMENSION		도면배표선
LENGTH O. A. ABT.	119.2 M	전체길이
BEAM OVER ALL ABT.	96.7 M	전체폭
BEAM OUTSIDE PONTOONS	78.08 M	부표외폭
HEIGHT TO BOX BOTTOM	34.00 M	상부구조물높이
HEIGHT TO UPPER DECK	42.50 M	상부구조물높이
LENGTH OF PONTOONS	108.80 M	부표길이
BEAM OF PONTOONS	17.28 M	부표폭
HEIGHT OF PONTOONS	10.24 M	부표높이
COLLUMN LxB	18.40x14.40 M	주춧돌크기
(CORNER RADIUS 3.20 M)		
NORMAL OPERATION DRAUGHT	23.00 M	상수상태수심
SURVIVAL DRAUGHT	19.00 M	생존수심
TRANSIT DRAUGHT	9.94 M	항해수심
AIR GAP AT STILL WATER	11.00 M	정수상태수심
(FROM 23.00 M)		

PLAN HISTORY					
DATE	REV.NO.	DESCRIPTION	DWN.	CHKD.	APPD.
10.08.30	Z	AS-BUILT	S.H.HONG	Y.S. KIM	H.K. SEO

PROJ. NO. 3026 PROJECT GVA 7500 SEMI DRILLING RIG
Moderate Environment Deepwater Unit

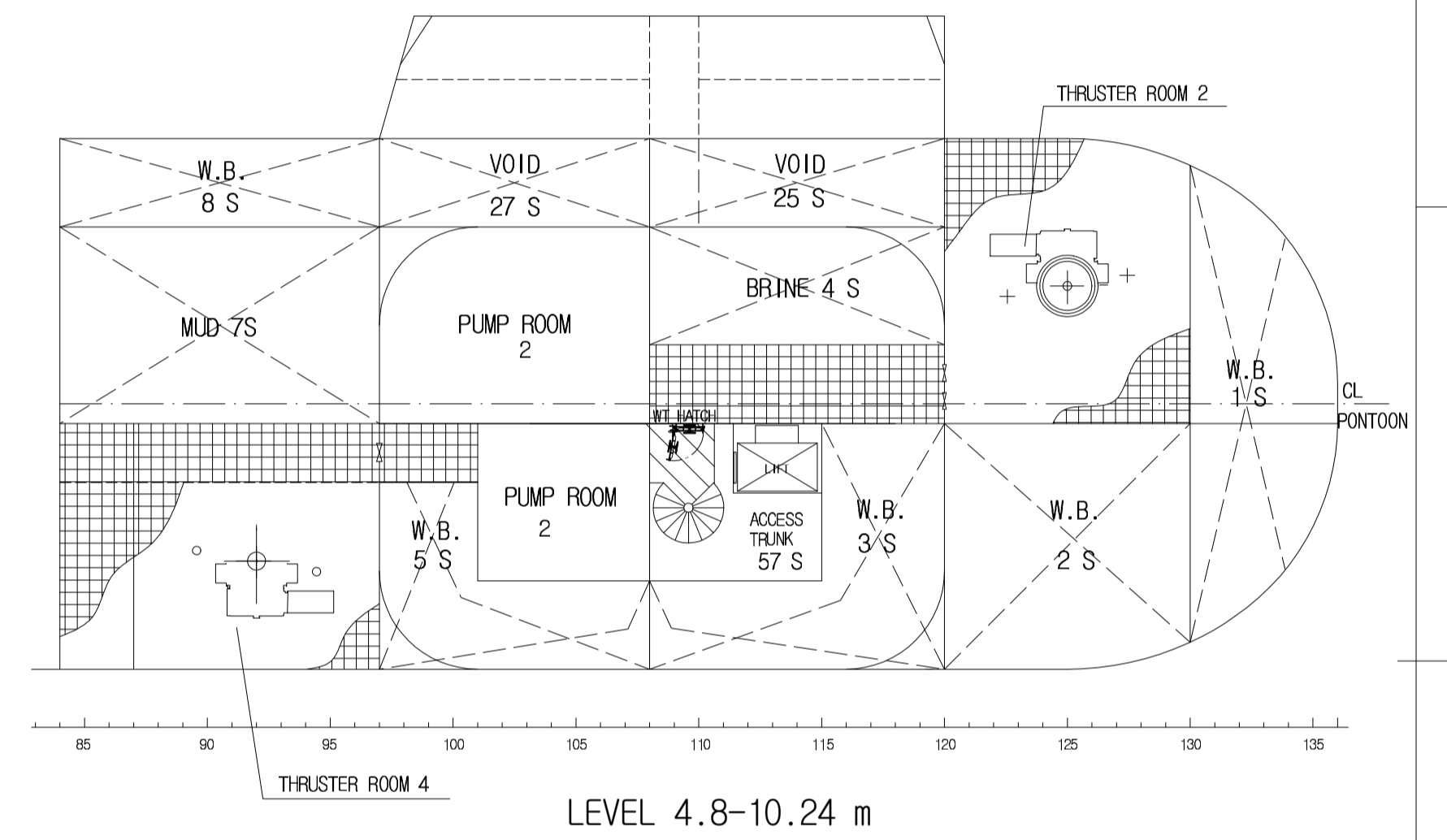
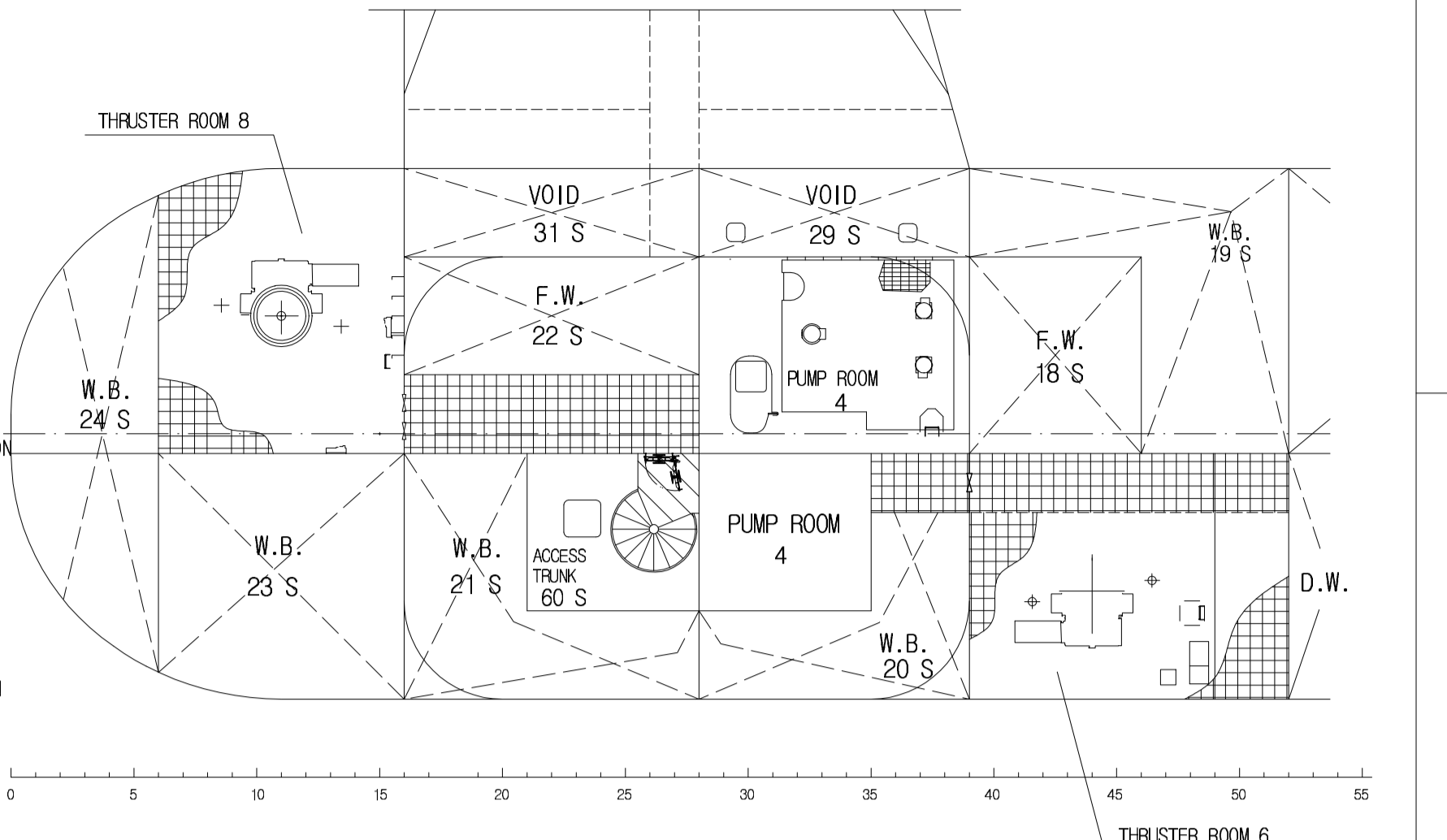
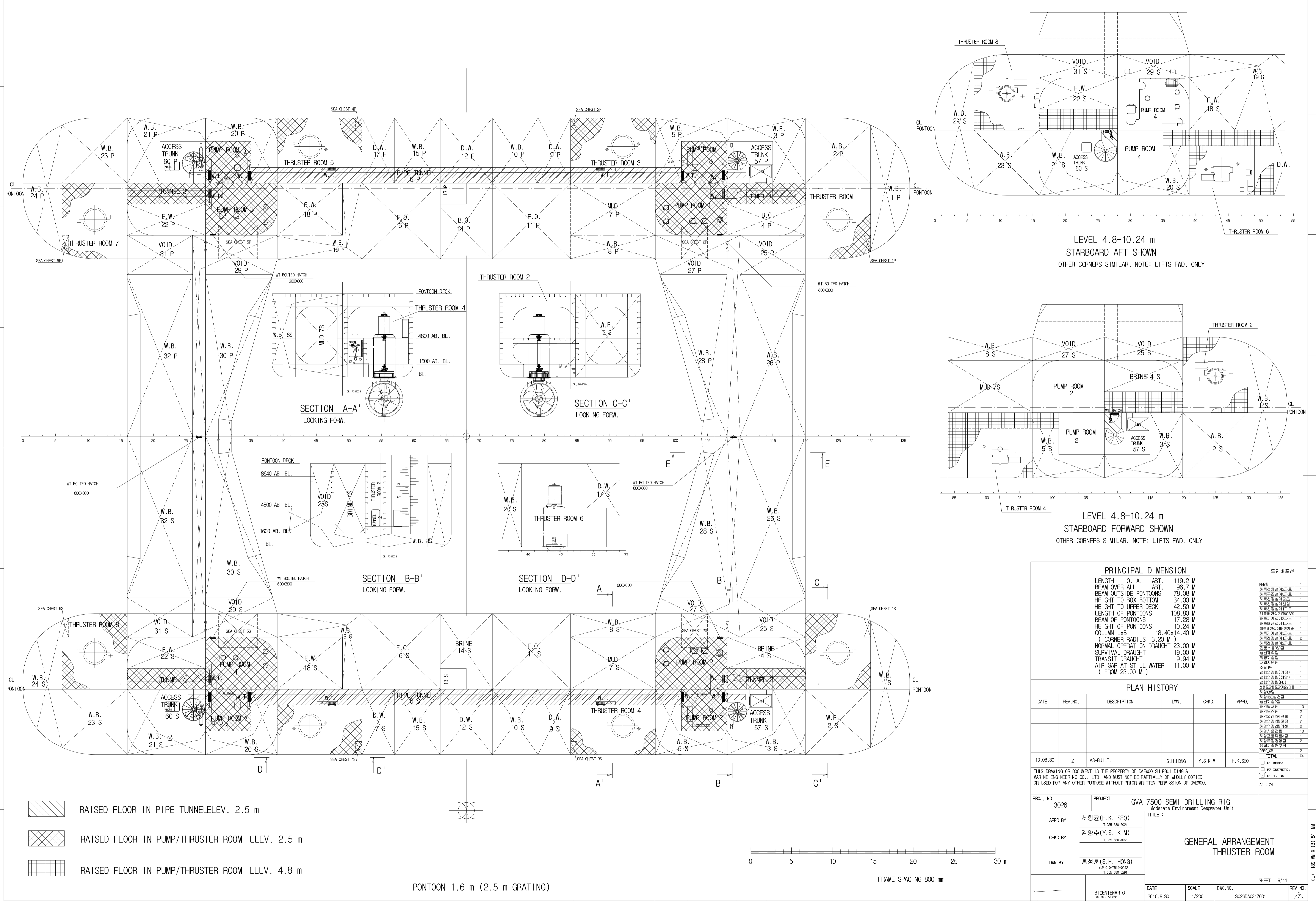
APPD BY 서형관(H.K. SEO) T.055-680-4001
CHKD BY 김양수(Y.S. KIM) T.055-680-4016
DWN BY 홍성훈(S.H. HONG) M.P. 010-7514-0242 T.055-680-5281

TITLE : GENERAL ARRANGEMENT AFT VIEW

DATE 2010.8.30 SCALE 1/200 DWG.NO. 3026DA0312001 REV. NO. 8/11

DAEWOO SHIPBUILDING & MARINE ENGINEERING CO., LTD.

1 2 3 4 5 6 7 8 9 10 11 12



PRINCIPAL DIMENSION		도면배표선				
LENGTH O. A.	119.2 M	총길이	1			
BEAM OVER ALL	96.7 M	총폭	1			
BEAM OUTSIDE PONTOONS	78.08 M	외부폭	1			
HEIGHT TO BOX BOTTOM	34.00 M	상부높이	1			
HEIGHT TO UPPER DECK	42.50 M	중간높이	1			
LENGTH OF PONTOONS	108.80 M	총길이(포인트)	1			
BEAM OF PONTOONS	17.28 M	외부폭(포인트)	1			
HEIGHT OF PONTOONS	10.24 M	중간높이(포인트)	1			
COLUMN LxB	18.40x14.40 M	중간폭(포인트)	1			
(CORNER RADIUS 3.20 M)		외부폭(포인트)	2			
NORMAL OPERATION DRAUGHT	23.00 M	중간높이(포인트)	1			
SURVIVAL DRAUGHT	19.00 M	외부높이	1			
TRANSIT DRAUGHT	9.94 M	중간높이	1			
AIR GAP AT STILL WATER	11.00 M	외부높이	2			
(FROM 23.00 M)		중간높이	1			
PLAN HISTORY		<input type="checkbox"/> FOR MARKING <input type="checkbox"/> FOR CONSTRUCTION <input type="checkbox"/> FOR REVISION				
DATE	REV. NO.	DESCRIPTION	DWN.	CHKD.	APPD.	
10.08.30	Z	AS-BUILT.	S.H.HONG	Y.S.KIM	H.K.SEO	TOTAL 74

PROJ. NO.	3026	PROJECT	GVA 7500 SEMI DRILLING RIG Moderate Environment Deepwater Unit
APPD BY	서형균(H.K. SEO) T.055-680-4001	TITLE :	
CHKD BY	김양수(Y.S. KIM) T.055-680-4016	GENERAL ARRANGEMENT THRUSTER ROOM	
DWN BY	홍성훈(S.H. HONG) M.P. 010-7914-0942 T.055-680-5281	SHEET 9/11	
DATE	2010.8.30	SCALE	1/200
DWG. NO.	3026DA0312001	REV. NO.	

- RAISED FLOOR IN PIPE TUNNEL ELEV. 2.5 m
- RAISED FLOOR IN PUMP/THRUSTER ROOM ELEV. 2.5 m
- RAISED FLOOR IN PUMP/THRUSTER ROOM ELEV. 4.8 m

PONTOON 1.6 m (2.5 m GRATING)

FRAME SPACING 800 mm

1 2 3 4 5 6 7 8 9 10 11 12

A

B

C

D

E

F

G

H

A

B

C

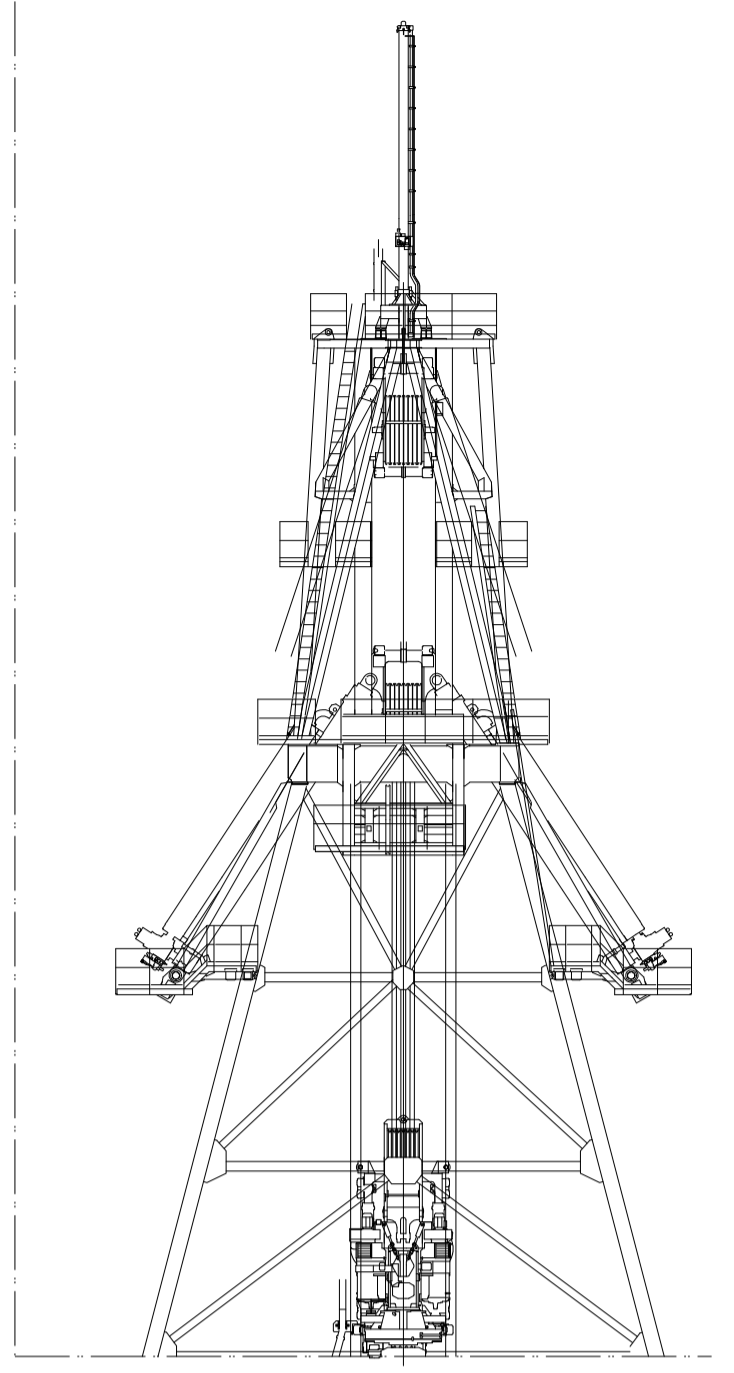
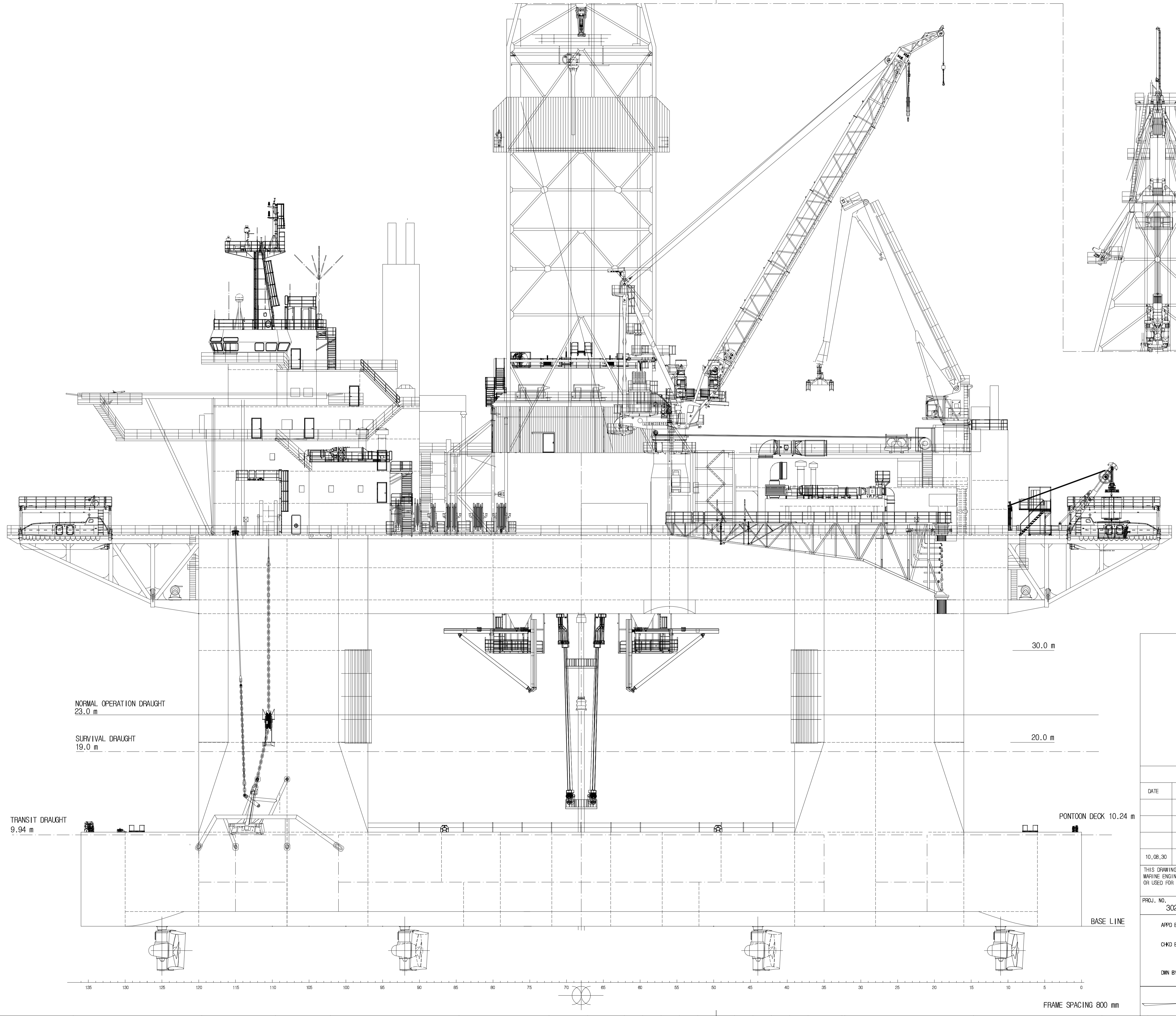
D

E

F

G

H

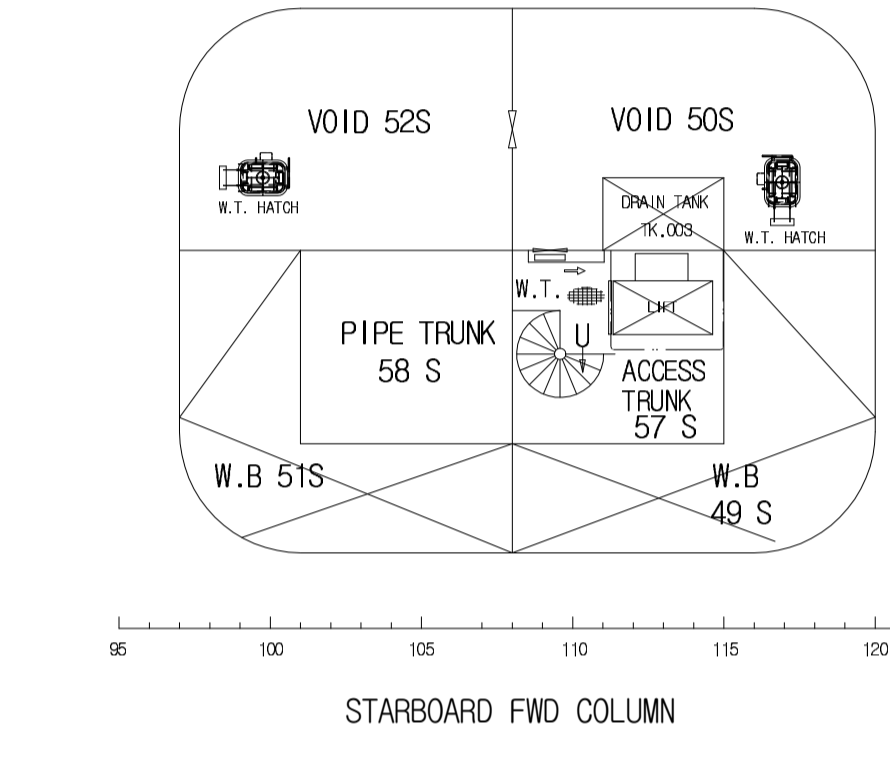
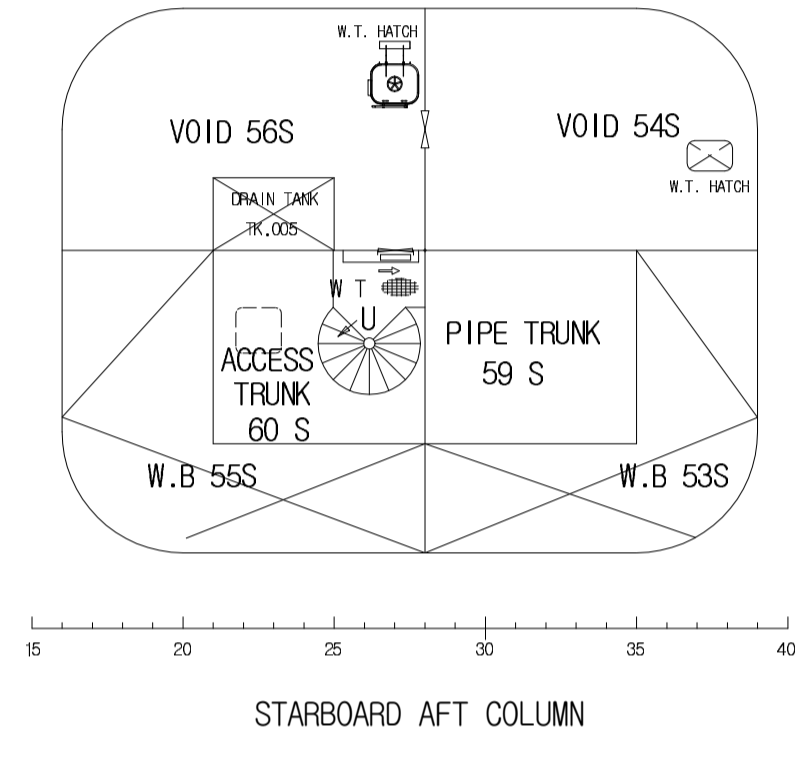
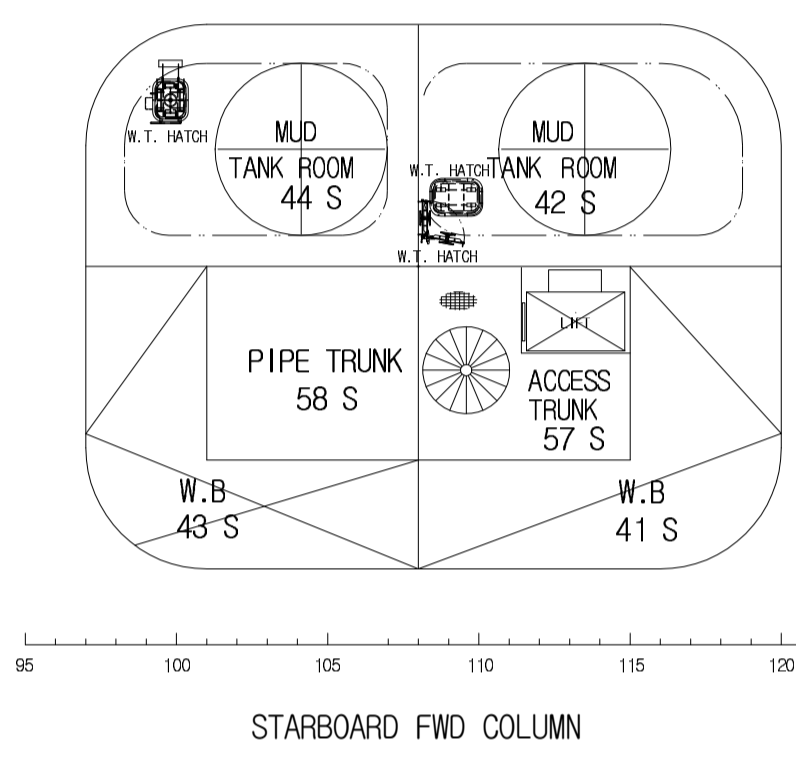
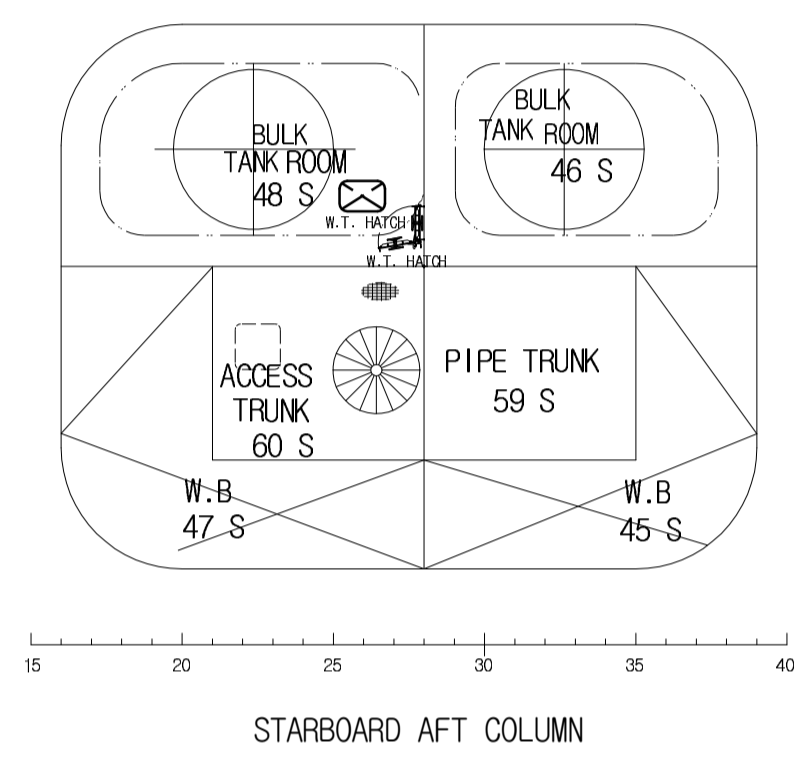
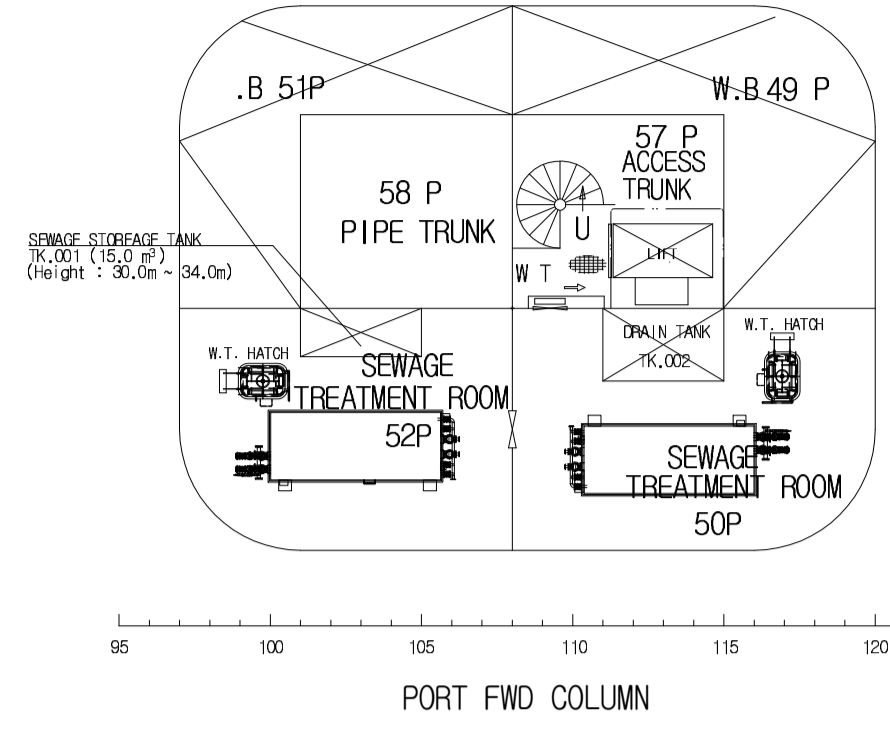
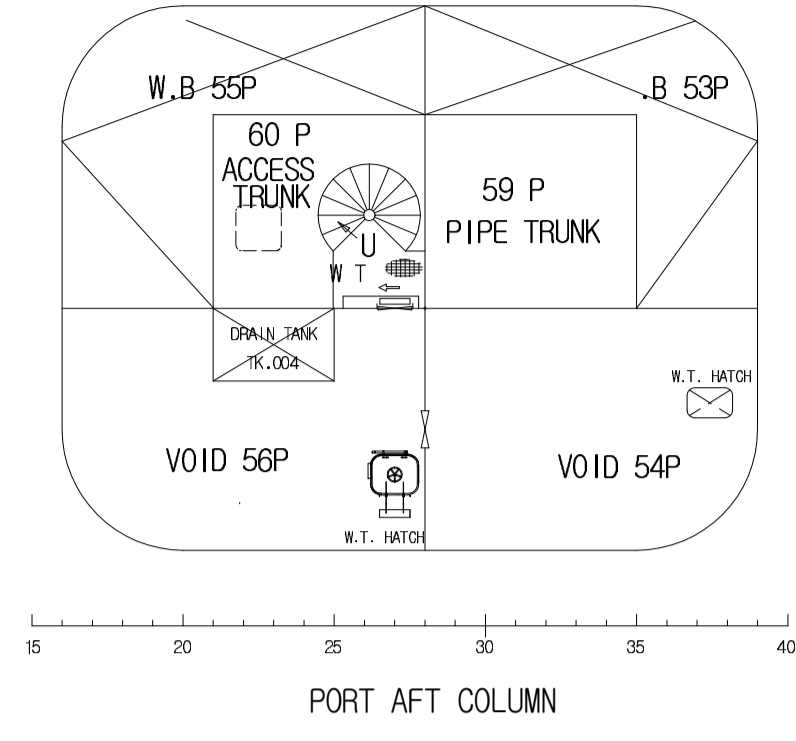
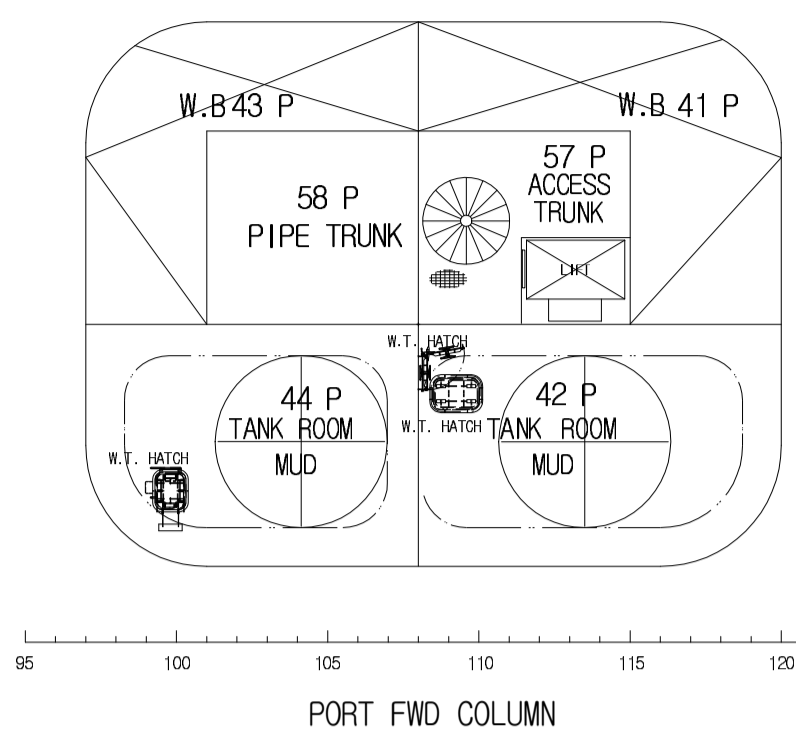
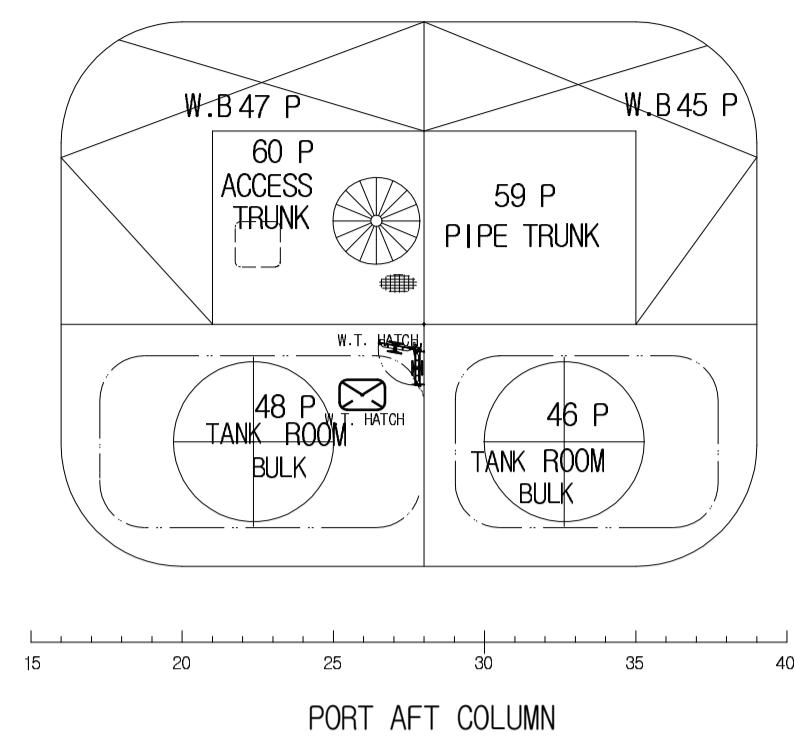


PRINCIPAL DIMENSION					도면번호표	
LENGTH O. A.	ABT.	119.2 M	대선	1	대선	1
BEAM OVER ALL	ABT.	96.7 M	대선	1	대선	1
BEAM OUTSIDE PONTOONS		78.08 M	대선	1	대선	1
HEIGHT TO BOX BOTTOM		34.00 M	대선	1	대선	1
HEIGHT TO UPPER DECK		42.50 M	대선	1	대선	1
LENGTH OF PONTOONS		108.80 M	대선	1	대선	1
BEAM OF PONTOONS		17.28 M	대선	1	대선	1
HEIGHT OF PONTOONS		10.24 M	대선	1	대선	1
COLLUMN LxB		18.40x14.40 M	대선	1	대선	1
		(CORNER RADIUS 3.20 M)	대선	2	대선	2
		NORMAL OPERATION DRAUGHT 23.00 M	대선	1	대선	1
		SURVIVAL DRAUGHT 19.00 M	대선	1	대선	1
		TRANSIT DRAUGHT 9.94 M	대선	1	대선	1
		AIR GAP AT STILL WATER 11.00 M	대선	2	대선	2
		(FROM 23.00 M)	대선	1	대선	1

PLAN HISTORY					
DATE	REV. NO.	DESCRIPTION	DWN.	CHKD.	APPD.
10.08.30	Z	AS-BUILT.	S.H.HONG	Y.S.KIM	H.K.SEO
TOTAL 74					

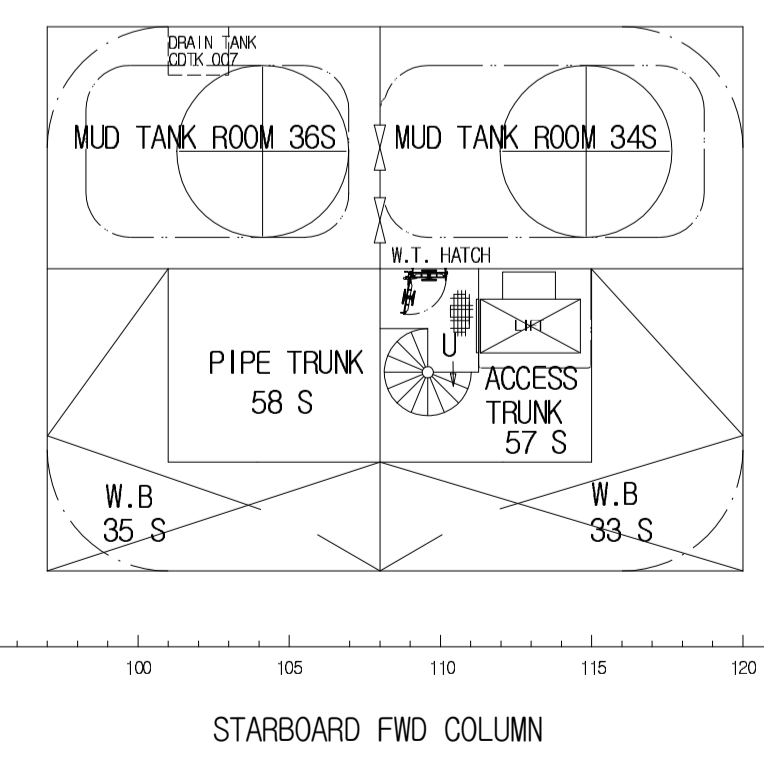
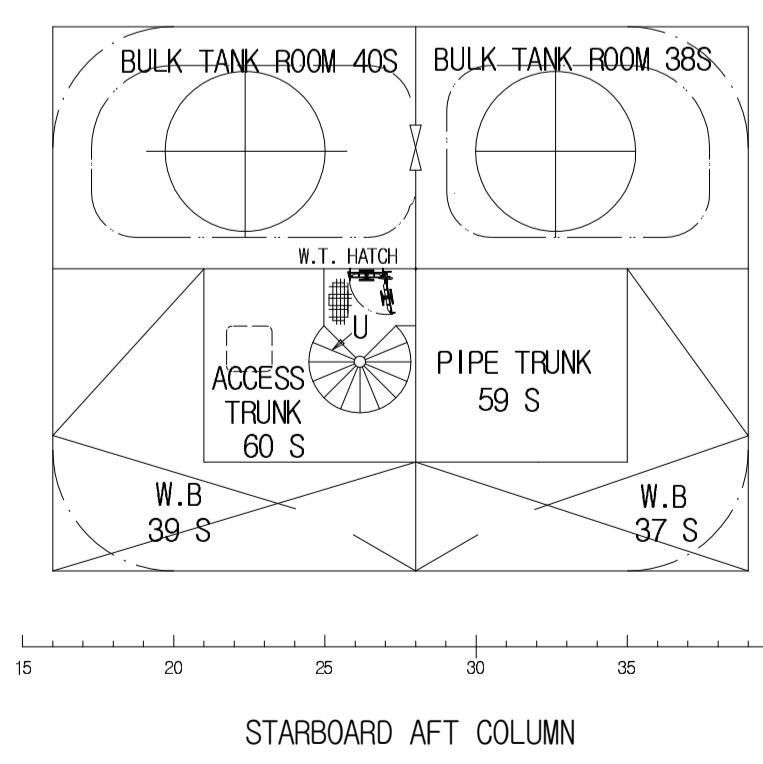
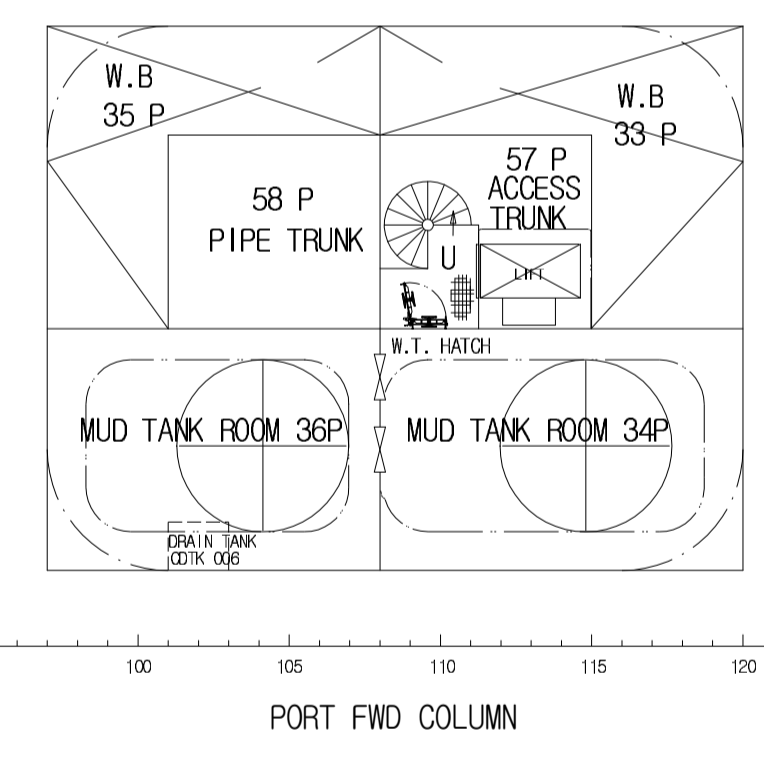
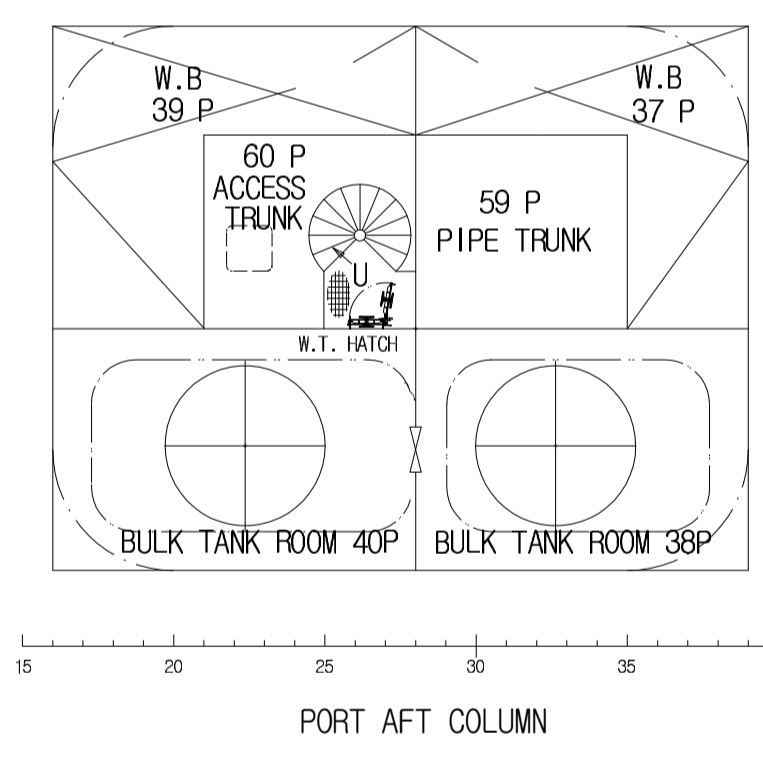
PROJ. NO.	3026	PROJECT	GVA 7500 SEMI DRILLING RIG Moderate Environment Deepwater Unit
APPD BY	서형관(H.K. SEO) T.055-680-4001	TITLE :	
CHKD BY	김양수(Y.S. KIM) T.055-680-4016	GENERAL ARRANGEMENT PORT SIDE VIEW	
DWN BY	홍성훈(S.H. HONG) M.P. 010-7514-0282 T.055-680-5281	SHEET 10/11	

BIGENTENAR10 REV. NO. 07/0087	DATE 2010.8.30	SCALE 1/200	DWG. NO. 3026DA0312001	REV. NO. A
----------------------------------	-------------------	----------------	---------------------------	---------------

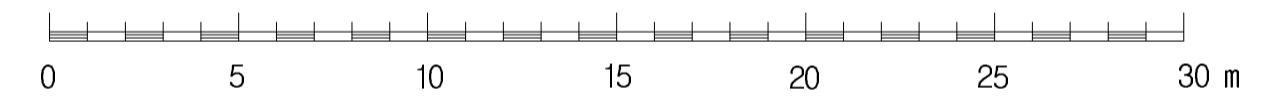


LEVEL 20.0-30.0 m

LEVEL 30.0-34.0 m



LEVEL 10.24-20.0 m



PRINCIPAL DIMENSION				도면배표선	
LENGTH O. A.	ABT.	119.2 M	내외배	1	
B.EAM OVER ALL	ABT.	96.7 M	내외배	1	
B.EAM OUTSIDE PONTOONS		78.08 M	내외배	1	
H.EIGHT TO BOX BOTTOM		34.00 M	내외배	1	
H.EIGHT TO UPPER DECK		42.50 M	내외배	1	
L.ENGTH OF PONTOONS		108.80 M	내외배	1	
B.EAM OF PONTOONS		17.28 M	내외배	1	
H.EIGHT OF PONTOONS		10.24 M	내외배	1	
COLUMN LxB		18.40x14.40 M	내외배	1	
(CORNER RADIUS 3.20 M)			내외배	2	
NORMAL OPERATION DRAUGHT		23.00 M	내외배	1	
SURVIVAL DRAUGHT		19.00 M	내외배	1	
TRANSIT DRAUGHT		9.94 M	내외배	1	
AIR GAP AT STILL WATER		11.00 M	내외배	1	
(FROM 23.00 M)			내외배	1	

PLAN HISTORY					
DATE	REV.NO.	DESCRIPTION	DWN.	CHKD.	APPD.
10.08.30	Z	AS-BUILT.	S.H.HONG	Y.S.KIM	H.K.SEO
TOTAL 74					

PROJ. NO.	3026	PROJECT	GVA 7500 SEMI-DRILLING RIG Moderate Environment Deepwater Unit
APPD BY	서형관(H.K. SEO) T.055-680-6001	CHKD BY	김양수(Y.S. KIM) T.055-680-4016
DWN BY	홍성훈(S.H. HONG) M.P. 010-7514-0242 T.055-680-5281	TITLE	GENERAL ARRANGEMENT COLUMNS
DATE	2010.8.30	SCALE	1/200
DWG. NO.	3026DA0312001	REV. NO.	1
SHEET 11/11			